

Robert Bosch GmbH

Power Tools Division

Max-Planck-Strasse 40 · 46

70771 Leinfelden-Echterdingen

Germany

www.bosch-pt.com

1 619 929 L28 (2013.02) PS / 213 UNI



1 619 929 L28

GAS 35 L AFC Professional



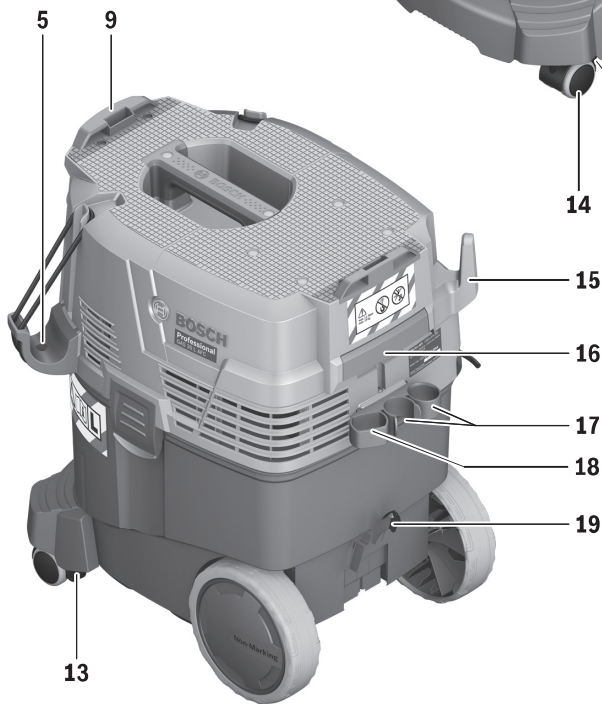
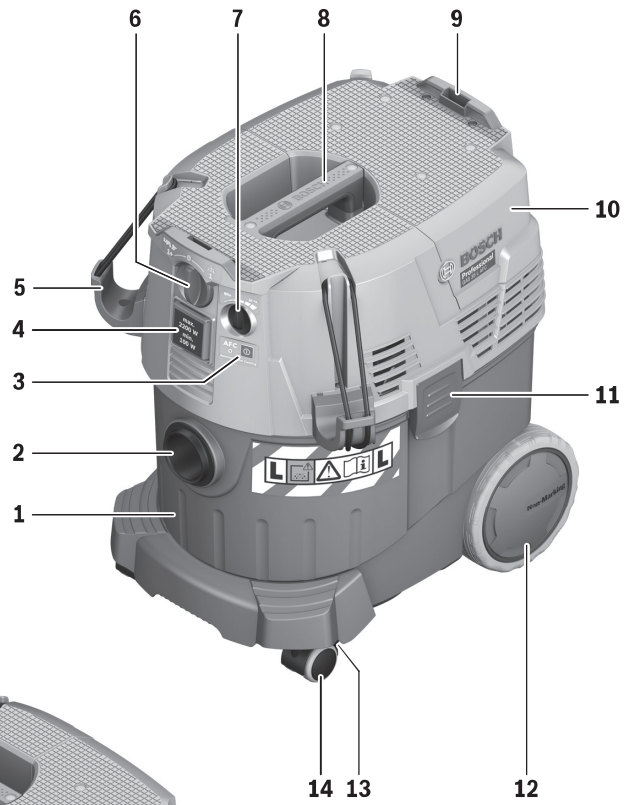
BOSCH

de Originalbetriebsanleitung
en Original instructions
fr Notice originale
es Manual original
pt Manual original
it Istruzioni originali
nl Oorspronkelijke gebruiksaanwijzing
da Original brugsanvisning
sv Bruksanvisning i original
no Original driftsinstruks
fi Alkuperäiset ohjeet
el Προϊόντος οδηγιών χρήσης

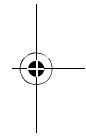
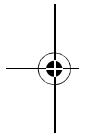
tr Original işletme talimatı
pl Instrukcja oryginalna
cs Původní návod k používání
sk Pôvodný návod na použitie
hu Eredeti használati utasítás
ru Оригинальное руководство по эксплуатации
uk Оригінальна інструкція з експлуатації
ro Instrucțiunile originale
bg Оригинална инструкция
sr Originalno uputstvo za rad
sl Izvirna navodila

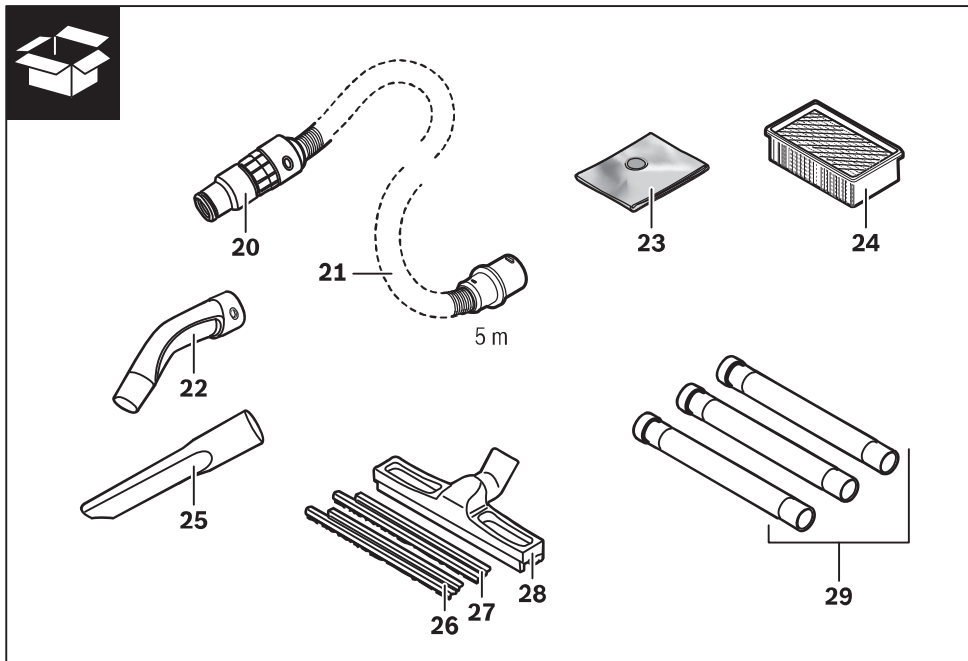
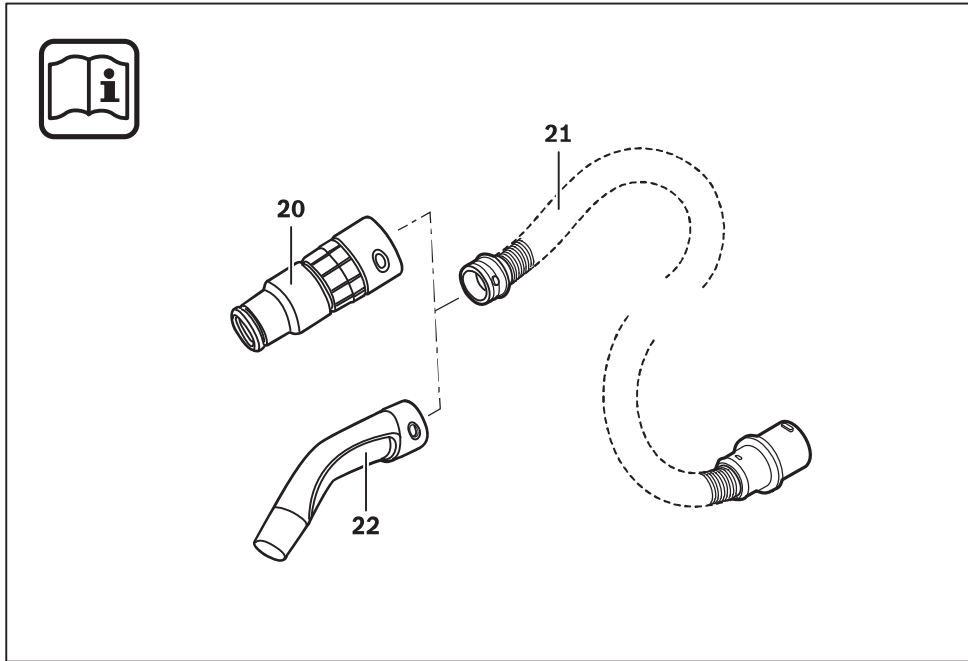
hr Originalne upute za rad
et Algupärane kasutusjuhend
lv Instrukcijas oriģinālvalodā
lt Originali instrukcija
ar تعليمات التشغيل الأصلية
fa دفترچه راهنمای اصلی

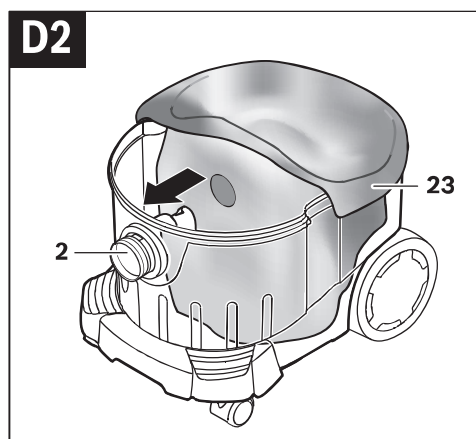
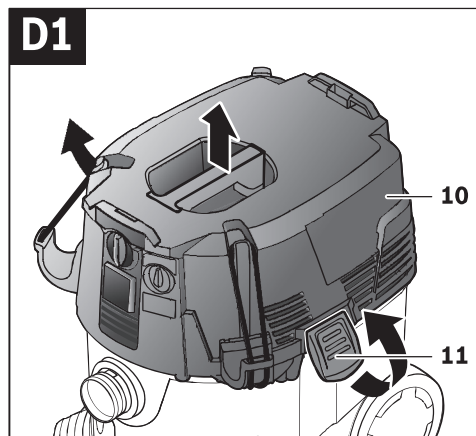
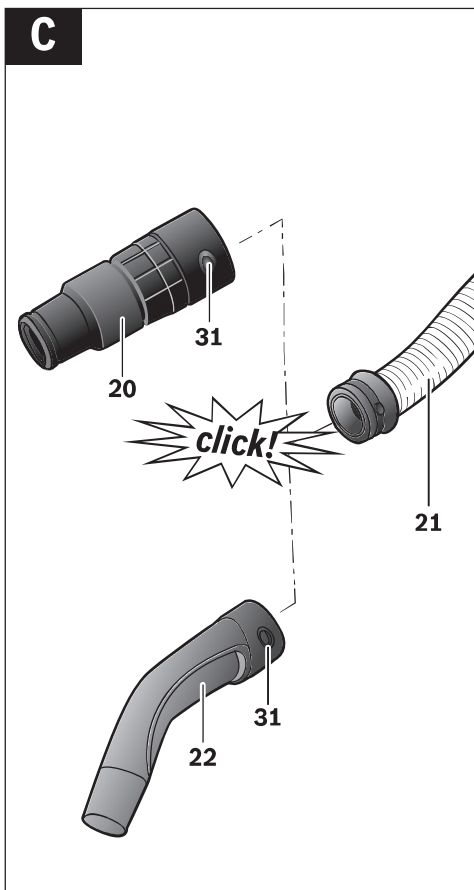
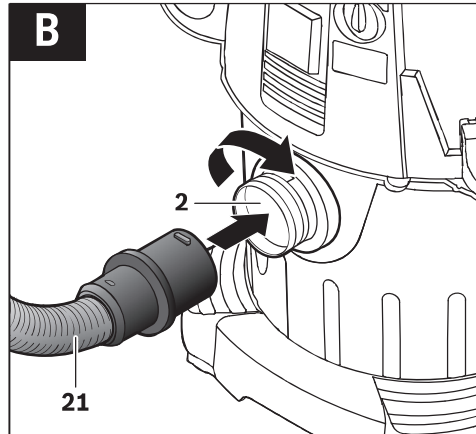
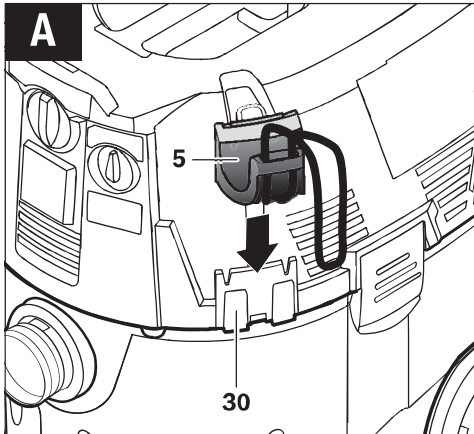




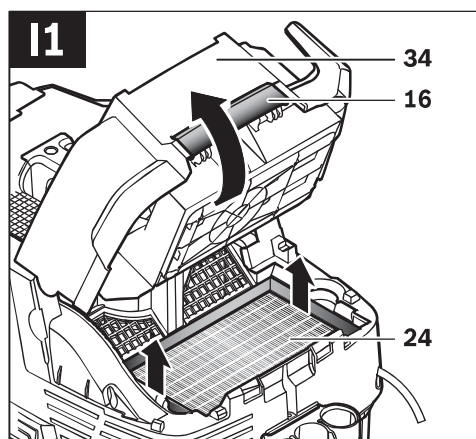
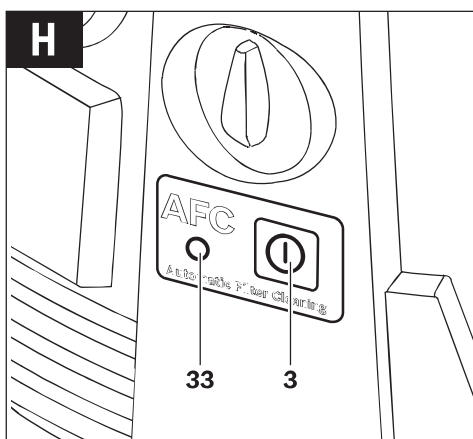
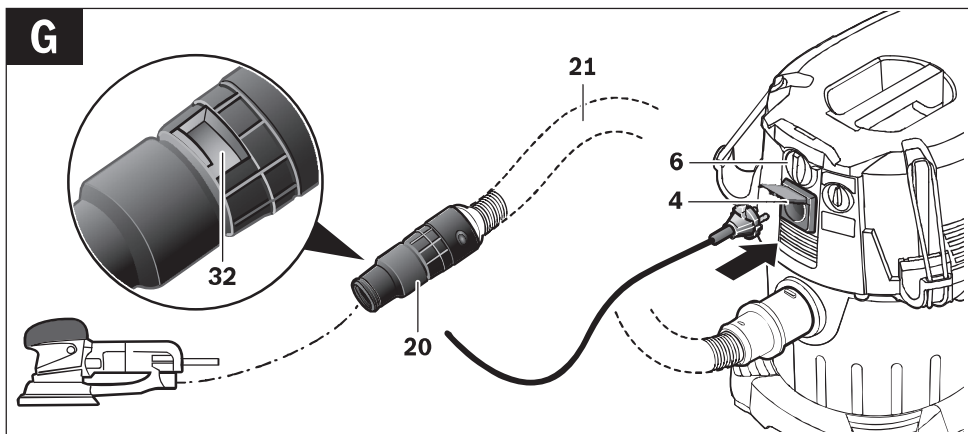
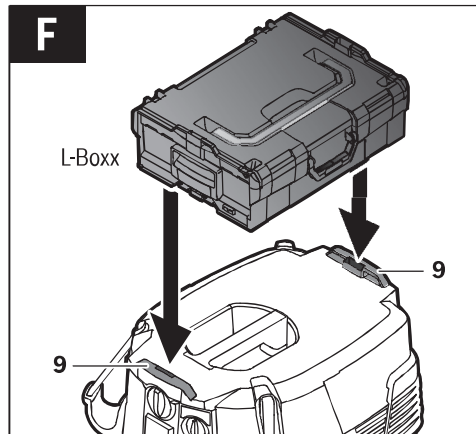
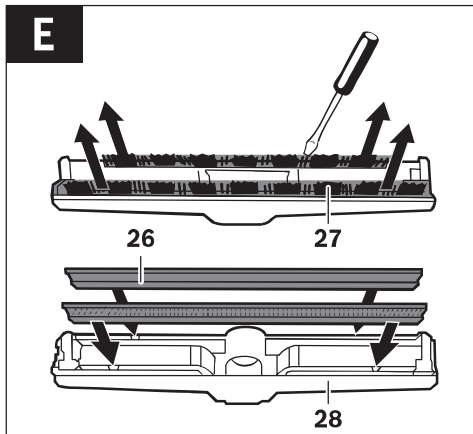
GAS 35 L AFC

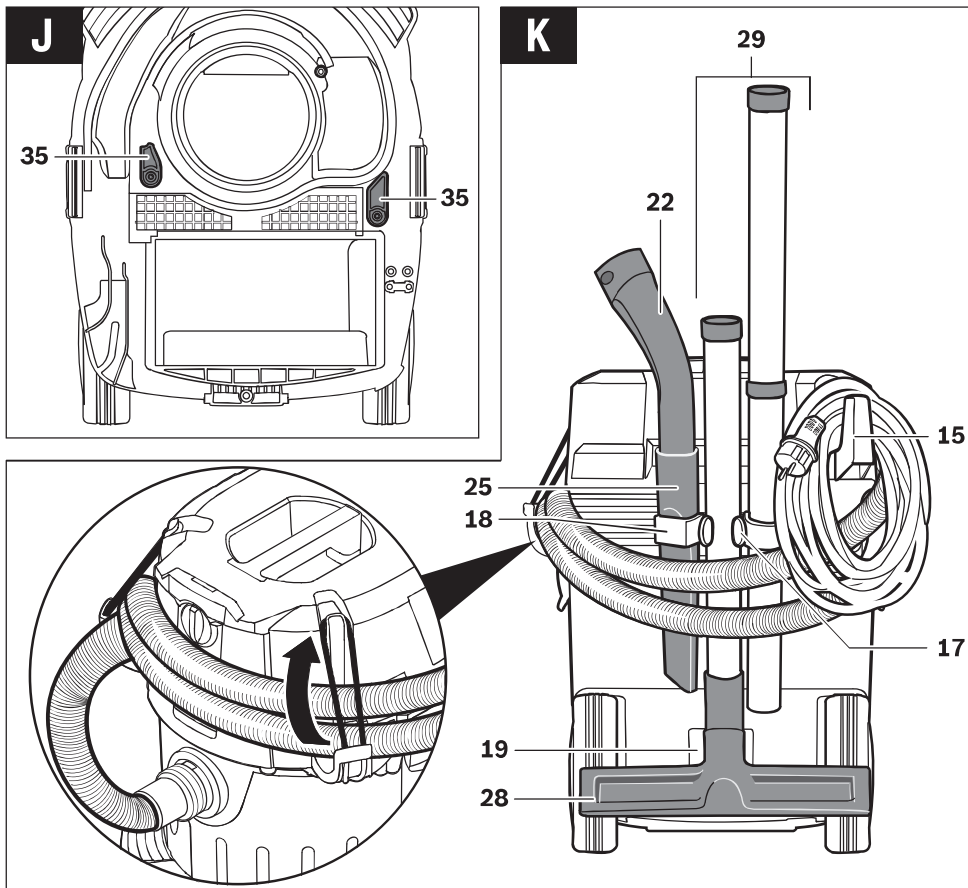
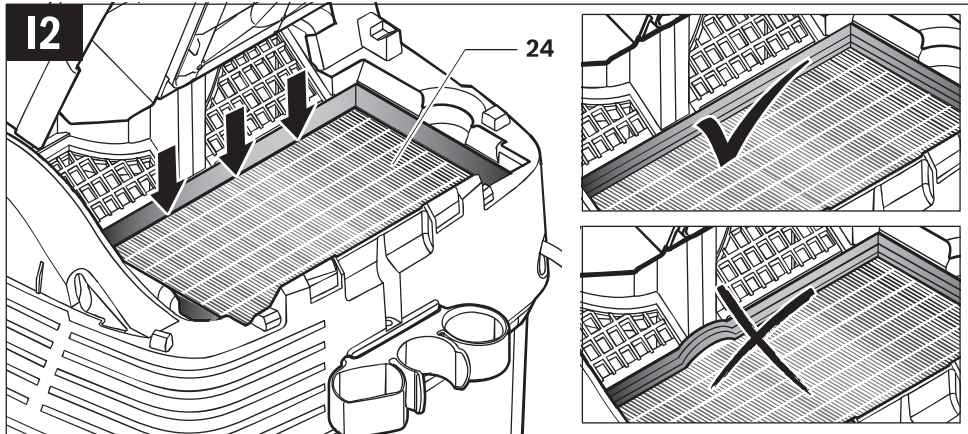






6 |





Schweiz

Tel.: (044) 8471511
 Fax: (044) 8471551
 E-Mail: Aftersales.Service@de.bosch.com

Luxemburg

Tel.: +32 2 588 0589
 Fax: +32 2 588 0595
 E-Mail: outillage.gereedschap@be.bosch.com

Entsorgung

Sauger, Zubehör und Verpackungen sollen einer umweltgerechten Wiederverwertung zugeführt werden.

Werfen Sie den Sauger nicht in den Hausmüll!

Nur für EU-Länder:

Gemäß der Europäischen Richtlinie 2012/19/EU über Elektro- und Elektronik-Altgeräte und ihrer Umsetzung in nationales Recht müssen nicht mehr gebrauchsfähige Elektrowerkzeuge getrennt gesammelt und einer umweltgerechten Wiederverwertung zugeführt werden.

Änderungen vorbehalten.

English**Safety Notes**

Read all safety warnings and all instructions. Failure to follow the warnings and instructions may result in electric shock, fire and/or serious injury.

Save these instructions.

- ▶ **Do not vacuum dust from beech or oak wood, masonry dust or asbestos.** These materials are considered carcinogenic.

WARNING Use the vacuum cleaner only after having received sufficient information on the usage of the vacuum cleaner, the materials to be vacuumed and their safe disposal. A thorough introduction reduces operating errors and injuries.

- ▶ **This vacuum cleaner is not intended for use by children and persons with reduced physical, sensory or mental capabilities, or lack of experience and knowledge.** Otherwise, there is danger of operating errors and injuries.
- ▶ **Supervise children.** This will ensure that children do not play with the vacuum cleaner.
- ▶ **Cleaning and user maintenance of the vacuum cleaner shall not be made by children without supervision.**

WARNING The vacuum cleaner is suitable for vacuuming dry materials and, by taking suitable measures, also for vacuuming liquids. The penetration of liquids increases the risk of an electric shock.

- ▶ **Do not vacuum inflammable or explosive fluids; for example, benzene, oil, alcohol, solvents. Do not vacuum hot or burning dust. Do not operate the machine in rooms where the danger of an explosion exists.** The dusts, vapours or fluids can ignite or explode.

WARNING Use the socket only for the purposes specified in of the operating instructions.

WARNING Switch the vacuum cleaner off immediately as soon as foam or water comes out, and empty the container. Otherwise, the vacuum cleaner can become damaged.

IMPORTANT Keep the vacuum cleaner away from rain or moisture. The penetration of water into the vacuum cleaner lid increases the risk of an electric shock.

- ▶ **The vacuum cleaner may only be stored indoors.**

IMPORTANT Clean the filling-level sensors for liquids at regular intervals, and check them for damage. Otherwise, their function can be impaired.

- ▶ **When operating the vacuum cleaner in damp environments, use a residual current device (RCD).** Using a residual current device (RCD) reduces the risk of an electric shock.

- ▶ **Connect the vacuum cleaner to a properly earthed mains supply.** The socket outlet and the extension cable must have an operative protective conductor.

- ▶ **Before each use, check the vacuum cleaner, cable and plug. Do not use the vacuum cleaner when defects are detected. Do not open the vacuum cleaner yourself and have it repaired only by qualified personnel using original spare parts.** Damaged vacuum cleaner, cables and plugs increase the risk of an electric shock.

- ▶ **Do not drive over, crush or stretch the cable. Do not pull the cable to unplug the plug from the socket outlet or to move the vacuum cleaner.** Damaged cables increase the risk of an electric shock.

- ▶ **Before maintaining or cleaning the vacuum cleaner, making any adjustments, changing accessories or placing the vacuum cleaner aside, remove the plug from the socket outlet.** This safety measure prevents accidental starting of the vacuum cleaner.

- ▶ **Provide for good ventilation at the working place.**

- ▶ **Have the vacuum cleaner repaired only through qualified specialists and only using original spare parts.** This ensures that the safety of your vacuum cleaner is maintained.

WARNING The vacuum cleaner contains materials that are hazardous to one's health.

Have the emptying and maintenance, incl. the disposal of dust-collection containers, carried out only by specialists. Appropriate protective equipment is required. Do not operate the vacuum cleaner without the complete filter system. Otherwise there is danger to your own health.

- ▶ **Before restarting, check the proper condition of the vacuum hose. When doing this, leave the vacuum hose**

16 | English

mounted to the vacuum cleaner to avoid dust from coming out. Otherwise, you could possibly inhale dust.

- ▶ **Use the mains cable and the vacuum hose carefully.** Other persons could be harmed.
- ▶ **Do not clean the vacuum cleaner with a water jet pointed directly at it.** The penetration of water into the vacuum cleaner lid increases the risk of an electric shock.

Products sold in GB only: Your product is fitted with an BS 1363/A approved electric plug with internal fuse (ASTA approved to BS 1362).

If the plug is not suitable for your socket outlets, it should be cut off and an appropriate plug fitted in its place by an authorised customer service agent. The replacement plug should have the same fuse rating as the original plug.

The severed plug must be disposed of to avoid a possible shock hazard and should never be inserted into a mains socket elsewhere.

Products sold in AUS and NZ only: Use a residual current device (RCD) with a rated residual current of 30 mA or less.

Symbols

The following symbols could have a meaning for the use of your vacuum cleaner. Please take note of the symbols and their meaning. The correct interpretation of the symbols will help you to use the vacuum cleaner in a better and safer manner.

Symbols and their meaning



CAUTION Read all safety warnings and all instructions. Failure to follow the warnings and instructions may result in electric shock, fire and/or serious injury.



Vacuum cleaners of dust category L according to IEC/EN 60335-2-69 for **dry vacuuming** of materials with an exposition limit value $> 1 \text{ mg/m}^3$ that are hazardous to one's health.



WARNING The vacuum cleaner contains materials that are hazardous to one's health. Have the emptying and maintenance, incl. the disposal of dust-collection containers, carried out only by specialists. Appropriate protective equipment is required. Do not operate the vacuum cleaner without the complete filter system. Otherwise there is danger to your own health.

Symbols and their meaning



Automatic Start/Stop feature

Extraction of dusts resulting from running power tools
The vacuum cleaner automatically switches on and off with a time delay



Switching Off



Vacuuming

Vacuuming of deposited dusts



max.
2200 W
min.
100 W

Specification of the allowable load of the connected power tool (country-specific)



Min/Max

Infinitely variable control of the vacuuming power:

- Maximum vacuum capacity for applications with intense dust development
- Reduced vacuum capacity for applications with low dust development and for control of the vacuuming power between connected power tool and workpiece surface (e. g. when sanding)



Automatic Filter Cleaning

AFC

Automatic filter cleaning (AFC = Automatic Filter Cleaning)



max. 1 L-Boxx
max. 15 kg

Attach only one L-Boxx (max.).

The weight of the L-Boxx with contents must not exceed 15 kg.

Symbols and their meaning

► **Do not hang the vacuum cleaner, e. g. for transport purposes, to a crane hook.** The vacuum cleaner is not suitable for handling by crane. Danger of injury and causing damage.



► **Do not use the vacuum cleaner as a seat, ladder or stepladder.** The vacuum cleaner can tip over and become damaged. Danger of injury.

Product Description and Specifications

While reading the operating instructions, unfold the graphics page for the vacuum cleaner and leave it open.

Intended Use

The machine is intended for collection, vacuuming, conveying and separation of non-flammable dry dusts and non-flammable liquids and water-air mixtures. The vacuum cleaner is dust-technically checked and corresponds with dust category L. It is suitable for the increased demands of industrial usage, as required in trades, industry and workshops.

According to IEC/EN 60335-2-69, vacuum cleaners of dust category L may only be used for vacuuming and extraction of hazardous dusts with an exposition limit value $> 1 \text{ mg/m}^3$.

Use the vacuum cleaner only when you fully understand and can perform all functions without limitation, or have received appropriate instructions.

Product Features

The numbering of the product features refers to the illustration of the vacuum cleaner on the graphics page.

- 1 Container
- 2 Hose connection piece
- 3 AFC button
- 4 Socket for power tool
- 5 Vacuum-hose holder
- 6 Mode selector switch
- 7 Control knob for vacuum capacity
- 8 Carrying handle
- 9 L-Boxx retainer
- 10 Vacuum lid
- 11 Latch of the vacuum cover
- 12 Rear wheel
- 13 Castor brake
- 14 Castor
- 15 Cable holder
- 16 Locking latch of filter cover
- 17 Holder for vacuum tubes
- 18 Holder for crevice nozzle/elbow
- 19 Holder for floor nozzle
- 20 Tool sleeve

- 21 Vacuum hose
- 22 Elbow
- 23 Disposal bag
- 24 Flat-fold filter (PES)
- 25 Crevice nozzle
- 26 Rubber lip
- 27 Brush insert
- 28 Floor nozzle
- 29 Vacuum tube
- 30 Retainer for vacuum-hose holder
- 31 Snap-fastener
- 32 Air diffuser
- 33 Signalling LED
- 34 Filter cover
- 35 Level sensors

Accessories shown or described are not part of the standard delivery scope of the product. A complete overview of accessories can be found in our accessories program.

Technical Data

Wet/dry vacuum cleaner		GAS 35 L AFC	
Article number		3 601 JC3 2..	
Rated power input	W	1 200	
Frequency	Hz	50/60	
Container volume (gross)	l	35	
Net volume (for fluids)	l	19	
Dust bag contents	l	19	
Max. vacuum*			
– Vacuum cleaner	hPa	230	
– Turbine	hPa	254	
Max. flow rate*			
– Vacuum cleaner	l/s	36	
– Turbine	l/s	74	
Max. vacuum capacity	W	1380	
Surface of flat-fold filter	m ²	0.615	
Dust category		L	
Weight according to EPTA-Procedure 01/2003	kg	12.2	
Protection class		⊕/I	
Degree of protection		IP X4	

* Measured with a \varnothing 35 mm and 5 m long vacuum hose

The values given are valid for nominal voltages [U] of 230 V. For lower voltage and models for specific countries, these values can vary.

Automatic Start/Stop feature*

	Rated voltage	max. power output	min. power output
EU	220 – 240 V	2200 W	100 W
UK	110 V	750 W	100 W
UK/DK	240/230 V	1800 W	100 W
CH	230 V	1100 W	100 W

* Specification of the allowable load of the connected power tool (country-specific)

18 | English

Noise Information

Measured sound values determined according to EN 60704. Typically the A-weighted sound pressure level of the vacuum cleaner is lower than 70 dB(A). Uncertainty K = 3 dB. The noise level when working can exceed 80 dB(A).

Wear hearing protection!**Declaration of Conformity** 

We declare under our sole responsibility that the product described under "Technical data" is in conformity with the following standards or standardization documents: EN 60335 and the directives 2011/65/EU, 2006/42/EC, 2004/108/EC including their amendments.

Technical file (2006/42/EC) at:
Robert Bosch GmbH, PT/ETM9,
D-70745 Leinfelden-Echterdingen

Dr. Egbert Schneider	Helmut Heinzelmann
Senior Vice President	Head of Product Certification
Engineering	PT/ETM9

ppa. Schneider *i.V. Heinzelmann*

Robert Bosch GmbH, Power Tools Division
D-70745 Leinfelden-Echterdingen
15.02.2013

Assembly

- **Before any work on the vacuum cleaner itself, pull the mains plug.**

Mounting the Vacuum-hose Holder (see figure A)

- Slide the vacuum-hose holders **5** firmly from above into the retainers **30** intended for this purpose, until they engage.

Mounting the Vacuum Hose (see figure B)

- Mount the vacuum hose **21** onto the hose connection piece **2** and turn it in clockwise direction to the stop.

Note: While vacuuming, an electrostatic charge develops in the vacuum hose and accessories caused through the friction of the dust, which the operator could experience in the form of static discharging (dependent on environmental influences and physical perception).

As a general rule, Bosch recommends using an anti-static vacuum hose (accessory), when vacuuming fine dusts and dry materials.

Mounting VAC Accessories (see figure C)

The vacuum hose **21** is equipped with a clip system, with which the VAC accessories (tool sleeve **20**, elbow **22**) can be connected.

Mounting the Tool Sleeve

- Mount the tool sleeve **20** onto the vacuum hose **21** until both snap-fasteners **31** of the vacuum hose can be heard to engage.
- To disassemble, press both snap-fasteners **31** inward and pull the components apart.

Mounting Nozzles and Tubes

- Mount the elbow **22** onto the vacuum hose **21** until both snap-fasteners **31** of the vacuum hose can be heard to engage.
- Afterwards, mount the desired VAC accessory (floor nozzle, crevice nozzle, vacuum tube, etc.) firmly onto the elbow **22**.
- To disassemble, press both snap-fasteners **31** inward and pull the components apart.

Inserting/Removing a Disposal Bag or Dust Bag (Dry Vacuuming) (see figures D1 – D2)

For dry vacuuming, a disposal bag **23** or a dust bag (accessory) can be used. This makes the disposal of the dust easier.

Note: When using a paper filter bag, the automatic filter cleaning (AFC) (see "Deactivating the AFC", page 20) **must**, and when using a fleece filter bag, **should** be shut off.

Inserting a Disposal bBag

- Unlock the latches **11** and remove the vacuum lid **10**.
- Insert the disposal bag **23** into the container **1** with the filling opening toward the front.
- Pull the filling opening over the connection flange into the recess of the connection flange.
- Make sure that the disposal bag **23** faces completely against the interior sides of the container **1**.
- Fold the rest of the disposal bag **23** over the edge of the container **1**.
- Reattach the vacuum lid **10** again and lock the latches **11**.

Removing and Closing the Disposal Bag

- Unlock the latches **11** and remove the vacuum lid **10**.
- Pull the full disposal bag **23** toward the rear off of the connection flange.
- Carefully remove the disposal bag **23** out of the vacuum cleaner without damaging it.
When doing this, pay attention that the disposal bag does not get caught or ripped open against the connection flange or other sharp objects.
- Pull the cover off of the adhesive strip, close the disposal bag and tape it shut.
Afterwards, tie off the disposal bag **23** below the filling opening with the pulled off cover of the adhesive strip.

Replacing/Inserting the Dust Bag (Accessory)

- Unlock the latches **11** and remove the vacuum lid **10**.
- Pull off the full dust bag from the connection flange toward the rear. Close the opening of the dust bag by folding down the lid. Remove the closed dust bag from the vacuum cleaner.
- Work the new dust bag over the connection flange of the vacuum cleaner. Make sure that the dust bag faces completely against the interior sides of the container **1** over its full length.
- Reattach the vacuum lid **10** again and lock the latches **11**.

Inserting the Rubber Lip (Wet Vacuuming) (see figure E)

Note: The requirements for the ingress degree (dust category L) have only been proven for dry vacuuming.

- Carefully pry the brush inserts **27** out of the floor nozzle **28** using a suitable tool.
- Insert the rubber lips **26** into the floor nozzle **28**.

Note: The structured side of the rubber lips must face outward.

Attaching an L-Boxx (see figure F)

For transport of the vacuum cleaner and for place-saving storage of VAC accessories and/or power tools, an L-Boxx can be mounted on the vacuum cleaner lid.

- Mount the L-Boxx onto the retainers **9**.
- ▶ **Do not carry the vacuum cleaner by the carrying handle of the mounted L-Boxx.** The vacuum cleaner is too heavy for the carrying handle of the L-Boxx. Danger of injury and causing damage.

Operation

Starting Operation

- ▶ **Observe correct mains voltage! The voltage of the power source must agree with the voltage specified on the nameplate of the vacuum cleaner. Equipment marked with 230 V can also be operated with 220 V.**
- ▶ **Please inform yourself about the valid regulations/laws for your country concerning the handling of materials that are hazardous to one's health.**

The vacuum cleaner is suitable for vacuuming and extracting the following materials:

- Dusts with an exposition limit value $> 1 \text{ mg/m}^3$

The vacuum cleaner may generally not be used in rooms where the danger of an explosion exists.

To save energy, only switch the vacuum cleaner on when using it.

To ensure optimal vacuuming performance, always completely unwind the vacuum hose **21** from the vacuum cleaner lid **10**.

Dry Vacuuming

Vacuuming of deposited dusts

- To switch the vacuum cleaner **on**, set the mode selector switch **6** to the "vacuuming" symbol.
- To switch the vacuum cleaner **off**, set the mode selector switch **6** to the "Off" symbol.



Extraction of dusts resulting from running power tools (see figure G)

- ▶ **An adequate ventilation rate (L) must be provided for when the outgoing air is circulated. Observe the respective national regulations.**

A socket outlet with earthing contact **4** is integrated in the vacuum cleaner. An external power tool can be connected there. Observe the maximal allowable load of the connected power tool.

- Mount the tool sleeve **20** (see "Mounting the Tool Sleeve", page 18).

- Insert the tool sleeve **20** into the vacuum connection of the power tool.

- To start the vacuum cleaner's **automatic Start/Stop feature**, set the mode selector switch **6** to the "Automatic Start/Stop" symbol.



- To **start the operation** of the vac, switch on the power tool connected to the socket **4**. The vacuum cleaner starts automatically.

- Switch the power tool off to **end the vacuuming**. The after-run function of the automatic Start/Stop feature lasts approx. 15 seconds, so that residual dust is drawn out of the vacuum hose.

- To switch the vacuum cleaner **off**, set the mode selector switch **6** to the "Off" symbol.



Wet Vacuuming

- ▶ **Do not vacuum inflammable or explosive fluids; for example, benzene, oil, alcohol, solvents. Do not vacuum hot or burning dust. Do not operate the machine in rooms where the danger of an explosion exists.** The dusts, vapours or fluids can ignite or explode.
- ▶ **The vacuum cleaner may not be used as a water pump.** The vacuum cleaner is intended for vacuuming air and water mixtures.
- ▶ **Before any work on the vacuum cleaner itself, pull the mains plug.**

Note: The requirements for the ingress degree (dust category L) have only been proven for dry vacuuming.

- Remove the disposal bag **23** or the dust bag and empty the container **1** before wet vacuuming.

Note: For easier disposal when vacuuming liquid-solid mixtures, use a wet filter bag (accessory), which separates liquids from solids.

- Mount the rubber lips into the floor nozzle (see "Inserting the Rubber Lip", page 18).
- Switch the automatic filter cleaning (AFC) off (see "Deactivating the AFC", page 20).

The vacuum cleaner is equipped with filling-level sensors **35**. When the maximum filling height is reached, the vacuum cleaner switches off. Set the mode selector switch **6** to the "off" symbol.

Note: When vacuuming non-conductive liquids (e. g. drilling emulsion, oil and grease), the vacuum cleaner is not switched off when the container is full. The level must be monitored continuously and the container emptied in time.

To prevent the formation of mould after wet vacuuming:

- Take out the flat-fold filter **24** and allow it to dry well.
- Remove the vacuum cleaner lid **10** open the filter cover **34** and allow both components to dry thoroughly.

Filter Cleaning

Automatic filter cleaning (see figure H)

In automatic filter cleaning mode (AFC = Automatic Filter Cleaning), the flat-fold filter **24** is cleaned every 15 seconds by means of air blasts (pulsating noise).

20 | English

The filter cleaning system **must be actuated latest** when the vacuuming performance is no longer sufficient.

Regular use of the filter cleaning feature increases the tool life of the filter.

To achieve ideal filter tool life, deactivate the automatic filter cleaning in exceptional cases, e. g., when vacuuming pure liquids or when working with a paper filter bag.

A flat-fold filter contaminated only on the surface is fully functional. Manual cleaning of the flat-fold filter by striking/tapping against it or blowing it out is not necessary, and can even damage the filter.

Note: The automatic filter cleaning is factory-set.

Switching the automatic filter cleaning on/off is only possible, when the VAC is running.

- **Deactivating the AFC**
Actuate the AFC button **3**.
The signalling LED **33** goes out.
- **Activating the AFC**
Actuate the AFC button **3**.
The signalling LED **33** lights up green.

Maintenance and Service

Maintenance and Cleaning

- ▶ **Before any work on the vacuum cleaner itself, pull the mains plug.**
- ▶ **For safe and proper working, always keep the vacuum cleaner and ventilation slots clean.**
- ▶ **Wear a dust protection mask when maintaining and cleaning the vacuum cleaner.**

If the replacement of the supply cord is necessary, this has to be done by Bosch or an authorized Bosch service agent in order to avoid a safety hazard.

A dust-technical inspection is to be carried out at least once every year by the manufacturer or an instructed person, e. g. for damage of the filter, tightness against leakage of the vacuum cleaner and function of the control/monitoring unit.

For category **L** vacuum cleaners that were in contaminated environments, the exterior as well as all machine parts should be cleaned or treated with sealants. When performing maintenance and repair work, all contaminated components that cannot be cleaned to satisfactory **must be disposed of**. Such components **must be disposed of in impermeable plastic bags conforming with the valid regulations for the disposal of such waste**.

For maintenance on behalf of the user, the vacuum cleaner **must be disassembled, cleaned and maintained as far as feasible, without causing a risk for the maintenance personnel or**

other persons. Prior to disassembly, the vacuum cleaner should be cleaned in order to prevent any risks. The room/enclosure in which the vacuum cleaner is disassembled should be well ventilated. Wear personal protective equipment during maintenance. After the maintenance, the maintenance area should be cleaned.

Removing/Replacing the Flat-fold Filter (see figures I1 – I2)

Replace a damaged flat-fold filter **24** immediately.

- Pull the locking latch **16** and open the filter cover **34**.
- Grasp the flat-fold filter **24** by the fins, pull up and remove.
- When taking out the flat-fold filter **24**, remove any accumulating dust and debris from the closing edge of the filter cover **34** using a moist cloth.
- Gently strike/tap out the flat-fold filter **24**.
PES and PTFE flat-fold filters can be flushed out under running water.
- Insert a new or the cleaned flat-fold filter **24**; observe proper and tight seating.
- Shut the filter cover **34** again (must be heard to engage).

Container

- Wipe out the container **1** from time to time with a commercially available, non-scouring cleaning agent and allow to dry.

Level Sensors (see figure J)

Clean the level sensors **35** occasionally.

- Unlock the latches **11** and remove the vacuum lid **10**.
- Clean the level sensors **35** with a soft cloth.
- Reattach the vacuum lid **10** again and lock the latches **11**.

Storage and Transport (see figure K)

- Wind the mains cable around the cable holder **15**.
- Insert the accessories into the holders provided: Vacuum tubes **29** in holders **17**, crevice nozzle **25** in holder **18**, floor nozzle **28** in holder **19**.
- Undo the elastic tie-downs of the vacuum-hose holders **5** and place the vacuum hose **21** around the vacuum cleaner lid into the holders **5**.
Reattach the elastic tie-downs.
- Mount the L-Boxx onto the retainers **9**.
- To prevent back injuries, remove a full disposal bag or dust bag, or drain vacuumed-up fluids before transporting the vacuum cleaner.
Carry the vacuum cleaner only by the carrying handle **8**.
- Store the vacuum cleaner in a dry room and secure it against unauthorised use.
- To lock the castors **14**, actuate the castor brakes **13** by pushing down.

Correction of Malfunctions

Problem	Corrective Measure
The vacuum turbine does not start.	<ul style="list-style-type: none"> - Check mains cable, mains plug, fuse, socket outlet and filling-level sensors 35. - Mode selector switch 6 set to "Start/Stop automatic". - Set mode selector switch 6 to the "vacuum" symbol and switch the power tool connected to the socket outlet 4 on.

Problem	Corrective Measure
Vacuum turbine switches off.	– Empty container 1 .
Vacuum turbine does not restart after emptying the container.	– Switch vacuum cleaner off and wait 5 seconds; switch on again after 5 seconds. – Clean level indicators 35 as well as the space between the level indicators 35 with a brush.
Vacuuming power decreases.	– Remove clogs from vacuum nozzle, vacuum tubes 29 , vacuum hose 21 or flat-fold filter 24 . – Replace disposal bag 23 or dust bag. – Engage filter cover 34 properly. – Mount vacuum cleaner lid 10 properly and lock latches 11 . – Replace flat-fold filter 24 .
Dust escapes during vacuuming	– Check proper installation of the flat-fold filter 24 . – Replace flat-fold filter 24 .
The automatic shut-off (wet vacuuming) does not respond.	– Clean level indicators 35 as well as the space between the level indicators 35 with a brush. The automatic shut-off does not function with non-conductive liquids or foam/bubbles. – Monitor the level continuously.
Automatic filter cleaning inoperative.	– Activate the filter cleaning (actuate the AFC button 3). – Connect the vacuum hose 21 .
The automatic filter cleaning cannot be switched off.	– Contact an authorised service agent for Bosch power tools.
The automatic filter cleaning cannot be switched off.	– Contact an authorised service agent for Bosch power tools.

After-sales Service and Application Service

In all correspondence and spare parts orders, please always include the 10-digit article number given on the type plate of the vacuum cleaner.

Our after-sales service responds to your questions concerning maintenance and repair of your product as well as spare parts. Exploded views and information on spare parts can also be found under:

www.bosch-pt.com

Bosch's application service team will gladly answer questions concerning our products and their accessories.

Great Britain

Robert Bosch Ltd. (B.S.C.)
P.O. Box 98
Broadwater Park
North Orbital Road
Denham
Uxbridge
UB 9 5HJ
Tel. Service: (0844) 7360109
Fax: (0844) 7360146
E-Mail: boschservicecentre@bosch.com

Ireland

Origo Ltd.
Unit 23 Magna Drive
Magna Business Park
City West
Dublin 24
Tel. Service: (01) 4666700
Fax: (01) 4666888

Australia, New Zealand and Pacific Islands

Robert Bosch Australia Pty. Ltd.
Power Tools
Locked Bag 66
Clayton South VIC 3169
Customer Contact Center
Inside Australia:
Phone: (01300) 307044
Fax: (01300) 307045
Inside New Zealand:
Phone: (0800) 543353
Fax: (0800) 428570
Outside AU and NZ:
Phone: +61 3 95415555
www.bosch.com.au

Republic of South Africa

Customer service
Hotline: (011) 6519600

Probléma	Elhárítás módja
A szívóerő lecsökkent.	<ul style="list-style-type: none"> – Szüntesse meg a dugulásokat a szívófejben, a 29 szívócsőben, a 21 elszívó tömlőben vagy a 24 lapos redős szűrőben. – Cserélje ki a 23 poreltávolító zsákot vagy a porzsákot. – Pattintsa be helyesen a helyére a 34 szűrőfedelelet – Tegye fel helyes helyzetben a 10 elszívó berendezés felső részét, majd zárja le a 11 lezáró kapcsot. – Cserélje ki a 24 lapos redős szűrőt.
Az elszívás közben por lép ki.	<ul style="list-style-type: none"> – Ellenőrizze a 24 lapos redős szűrő előírás szerű beszerelését. – Cserélje ki a 24 lapos redős szűrőt.
A kikapcsoló automatika (nedves elszívás) nem lép működésbe.	<ul style="list-style-type: none"> – Egy kéfével tisztítsa meg a 35 szintérzékelő szenzorokat, valamint a 35 szintérzékelő szenzorok közötti teret. <p>A kikapcsoló automatika elektromosan nem vezető folyadékok vagy habképződés esetén nem működik.</p> <ul style="list-style-type: none"> – Állandóan ellenőrizze a folyadékszintet.
Az automatikus szűrőtisztítás nem működik.	<ul style="list-style-type: none"> – Aktiválja a szűrőtisztítást (nyomja meg a 3 AFC-gombot). – Csatlakoztassa a 21 elszívó tömlőt.
Az automatikus szűrőtisztítást nem lehet kikapcsolni.	<ul style="list-style-type: none"> – Lépjen kapcsolatba egy Bosch elektromos szerszám ügyfélszolgálattal.
Az automatikus szűrőtisztítást nem lehet bekapcsolni.	<ul style="list-style-type: none"> – Lépjen kapcsolatba egy Bosch elektromos szerszám ügyfélszolgálattal.

Vevőszolgálat és használati tanácsadás

Ha kérdései vannak, vagy pótalkatrészeket akar megrendelni, okvetlenül adja meg a szívóvíz típus tábláján található 10-jegyű megrendelési számot.

A Vevőszolgálat választ ad a termékének javításával és karbantartásával, valamint a pótalkatrészekkel kapcsolatos kérdéseire. A tartalékalkatrészekkel kapcsolatos robbantott ábrák és egyéb információk a címen találhatóak:

www.bosch-pt.com

A Bosch Használati Tanácsadó Team szívesen segít, ha termékeinkkel és azok tartozékaival kapcsolatos kérdései vannak.

Magyarország

Robert Bosch Kft.
1103 Budapest
Gyömrői út. 120.
Tel.: (061) 431-3835
Fax: (061) 431-3888

Eltávolítás

Az elszívót, a tartozékokat és a csomagolást a környezetvédelmi szempontoknak megfelelően kell újrafelhasználásra előkészíteni.

Ne dobja ki az elszívó berendezést a háztartási szemétkorba!

Csak az EU-tagországok számára:



A használt villamos és elektronikus berendezésekre vonatkozó 2012/19/EU sz. Európai Irányelvnek és ennek a megfelelő országok jogharmonizációjának megfelelően a már használhatatlan elektromos kéziszerszámokat külön össze kell gyűjteni és a környezetvédelmi szempontból megfelelő újra felhasználásra le kell adni.

A változtatások joga fenntartva.

Русский



Сертификат о соответствии

No. RU C-DE.ME77.B.00237

Срок действия сертификата о соответствии по 13.02.2018

ООО "Элмаш"

141400 Химки Московской области, ул. Ленинградская, 29

Сертификаты о соответствии хранятся по адресу:

ООО «Роберт Бош»

ул. Акад. Королева, 13, стр. 5

Россия, 129515, Москва

Указания по безопасности



Прочтите все указания и инструкции по технике безопасности. Упущения в отношении указаний и инструкций по технике безопасности могут стать причиной поражения электрическим током, пожара и тяжелых травм.

Тщательно сохраняйте эти инструкции.

► **Не собирайте пылесосом древесную пыль бука или дуба, пыль горных пород и асбест.** Эти материалы являются канцерогенными.

⚠ ПРЕДУПРЕЖДЕНИЕ Используйте пылесос только в том случае, если

Вы получили достаточно информации о пылесосе, собираемых веществах и их безопасном удалении. Тщательный инструктаж снижает риск неправильной эксплуатации и травм.

126 | Русский

- ▶ Этот пылесос не предназначен для использования детьми и лицами с ограниченными физическими, сенсорными или умственными способностями или с недостаточным опытом и знаниями. Иначе может возникнуть опасность неправильного использования или получения травм.
- ▶ Смотрите за детьми. Дети не должны играть с пылесосом.
- ▶ Детям разрешается производиться очистку и техническое обслуживание пылесоса только под присмотром.

⚠ ПРЕДУПРЕЖДЕНИЕ Пылесос предназначен для собирания сухих веществ, а при принятии соответствующих мер – также и для собирания жидкостей. Попадание жидкости в пылесос повышает риск удара электрическим током.

- ▶ Не засасывайте пылесосом горючие или взрывоопасные жидкости, напр., бензин, масло, спирт, растворители. Не всасывайте горячую или горящую пыль. Не пользуйтесь пылесосом во взрывоопасных помещениях. Пыль, пары или жидкости могут воспламениться или взорваться.

⚠ ПРЕДУПРЕЖДЕНИЕ Используйте розетку только в указанных в руководстве по эксплуатации целях.

⚠ ПРЕДУПРЕЖДЕНИЕ При выходе пены или воды из пылесоса сразу выключайте пылесос и опорожняйте контейнер. Иначе пылесос может быть поврежден.

⚠ ВНИМАНИЕ Защищайте пылесос от дождя и влаги. Проникновение воды в крышку пылесоса увеличивает риск поражения электрическим током.

- ▶ Храните пылесос только внутри помещений.

⚠ ВНИМАНИЕ Регулярно очищайте датчики уровня жидкости и проверяйте их на предмет повреждения. Загрязнения и повреждения отрицательно воздействуют на функциональную способность датчиков.

- ▶ Если применения пылесоса в сыром помещении избежать невозможно, то применяйте устройство защитного отключения (УЗО). Применение УЗО снижает риск электрического поражения.
- ▶ Подключайте пылесос к заземленной согласно предписаниям электросети. Штепсельная розетка и кабель-удлинитель должны иметь работоспособный защитный провод.
- ▶ Каждый раз перед началом работы проверяйте пылесос, шнур питания и штепсель. Не пользуйтесь пылесосом, если Вы обнаружили повреждения. Не открывайте пылесос самостоятельно, его ремонт разрешается выполнять только квалифицированному персоналу и только с использованием оригинальных запчастей. Поврежденные пылесосы, шнуры питания и штепсели повышают риск поражения электрическим током.

- ▶ Не переезжайте и не сдавливайте кабель. Не вытягивайте вилку из штепсельной розетки и не тяните пылесос за кабель. Поврежденный кабель повышает риск поражения электротоком.

- ▶ Вынимайте вилку из розетки, прежде чем проводить обслуживание, чистку или настройку пылесоса, а также перед заменой принадлежностей или откладыванием пылесоса в сторону. Эта мера предосторожности предотвращает непреднамеренное включение пылесоса.

- ▶ Обеспечивайте хорошую вентиляцию на рабочем месте!

- ▶ Ремонт Вашего пылесоса поручайте только квалифицированным специалистам, использующим только оригинальные запасные части. Этим обеспечивается безопасность пылесоса.

⚠ ПРЕДУПРЕЖДЕНИЕ Пылесос содержит вредную для здоровья пыль.

Процедуры опорожнения и техобслуживания, включая вынимание контейнера для пыли, можно проводить только силами специалистов. Необходимо соответствующее защитное снаряжение. Не эксплуатируйте пылесос без полной фильтрующей системы. Иначе Вы подвергните опасности свое здоровье.

- ▶ Перед эксплуатацией проверяйте безупречное состояние шланга отсасывания. Оставляйте при этом шланг отсасывания подключенным к пылесосу, чтобы пыль случайно не высыпалась. Иначе Вы можете вдохнуть пыль.
- ▶ Аккуратно используйте сетевой шнур и шланг отсаса. Иначе Вы можете подвергнуть опасности других людей.
- ▶ Не очищайте пылесос под прямой струей воды. Проникновение воды в крышку пылесоса увеличивает риск удара электрическим током.

Символы

Следующие символы могут быть важны при эксплуатации Вашего пылесоса. Пожалуйста, запомните символы и их значение. Правильное понимание символов поможет вам лучше и надежней использовать пылесос.

Символы и их значение



⚠ ВНИМАНИЕ Прочтите все указания и инструкции по технике безопасности. Упущения в отношении указаний и инструкций по технике безопасности могут стать причиной поражения электрическим током, пожара и тяжелых травм.



Символы и их значение

Пылесос класса пыли L в соответствии с IEC/EN 60335-2-69 для **сухого отсасывания** вредной для здоровья пыли с граничным значением экспозиционной дозы $> 1 \text{ мг/м}^3$



⚠ ПРЕДУПРЕЖДЕНИЕ Пылесос содержит вредную для здоровья пыль. Процедуры опорожнения и техобслуживания, включая вынимание контейнера для пыли, можно проводить только силами специалистов. Необходимо соответствующее защитное снаряжение. Не эксплуатируйте пылесос без полной фильтрующей системы. Иначе Вы подвергните опасности свое здоровье.

**Автоматическое включение/выключение**

1+

Всасывание пыли от работающих электроинструментов
Пылесос автоматически включается и через определенный отрезок времени снова выключается

0

Выключение**Собирание пылесосом**

Собирание пылевых отложений

1

max.
2200 W
min.
100 W

Указание максимально допустимой общей потребляемой мощности подключенного электроинструмента (в зависимости от страны)

**Min/Max**

Плавное регулирование мощности всасывания:

- максимальная мощность всасывания для применения в условиях сильной запыленности
- пониженная мощность всасывания для применения в условиях небольшого запыления и, напр., для регулировки мощности отсоса между подключенным электроинструментом и поверхностью обрабатываемой детали (напр., при шлифовании)

Символы и их значение**AFC**

Автоматическая очистка фильтра (AFC = Automatic Filter Cleaning)



max. 1 L-Voxh
max. 15 kg

Устанавливать не более одного кейса L-Voxh.

Вес кейса L-Voxh вместе с его содержимым не должен превышать 15 кг.

**▶ Не подвешивайте пылесос на крюк крана, напр., для транспортировки.**

Пылесос не пригоден для подъема краном. Это чревато травмами и повреждением пылесоса.



▶ Не садитесь и не становитесь на пылесос, а также не используйте его в качестве лестницы. Пылесос может опрокинуться или повредиться. Существует опасность травм.

Описание продукта и услуг

Пожалуйста, откройте раскладную страницу с иллюстрациями пылесоса и оставляйте ее открытой, пока Вы изучаете руководство по эксплуатации.

Применение по назначению

Электроинструмент предназначен для сборки, всасывания, перемещения и отделения негорючей сухой пыли, негорючих жидкостей и водно-воздушной смеси. Пылесос прошел проверку на предмет собирания пыли и соответствует классу пыли L. Он пригоден для повышенных нагрузок при промышленном использовании, напр., для ремесленных работ, при использовании в промышленности и в мастерских.

Пылесос для класса пыли L в соответствии с IEC/EN 60335-2-69 разрешается применять только для всасывания вредной для здоровья пыли с граничным значением экспозиционной дозы $> 1 \text{ мг/м}^3$.

Используйте пылесос только в том случае, если Вы полностью ознакомились со всеми функциями и в состоянии пользоваться ими без каких-либо ограничений или получили соответствующие указания.

128 | Русский

Изображенные составные части

Нумерация изображенных составных частей выполнена по иллюстрациям пылесоса на странице с рисунками.

- 1 Контейнер
- 2 Патрубок для шланга
- 3 Кнопка AFC
- 4 Розетка для электроинструмента
- 5 Крепление всасывающего шланга
- 6 Переключатель режимов
- 7 Регулятор мощности всасывания
- 8 Ручка для переноса
- 9 Крепление для кейса L-Voxx
- 10 Крышка пылесоса
- 11 Замок крышки пылесоса
- 12 Колесико
- 13 Тормоз направляющего ролика
- 14 Направляющий ролик
- 15 Крепление кабеля
- 16 Язычок крышки фильтра
- 17 Держатель для всасывающей трубы
- 18 Держатель для щелевой насадки/отсасывающего колена
- 19 Держатель для напольной насадки
- 20 Муфта для электроинструментов
- 21 Шланг отсоса
- 22 Отсасывающее колено
- 23 Мешок для сбора мусора
- 24 Плоский складчатый фильтр (PES – полиэфирсульфон)
- 25 Щелевая насадка
- 26 Резиновая кромка
- 27 Вставные щетки
- 28 Напольная насадка
- 29 Всасывающая труба
- 30 Крепление для держателя всасывающего шланга
- 31 Нажимная кнопка
- 32 Отверстие для воздуха с заглушкой
- 33 Контрольный светодиод
- 34 Крышка фильтра
- 35 Датчики уровня

Изображенные или описанные принадлежности не входят в стандартный объем поставки. Полный ассортимент принадлежностей Вы найдете в нашей программе принадлежностей.

Данные о шуме

Уровень шума определен в соответствии с нормой EN 60704.

A-взвешенный уровень звукового давления пылесоса обычно ниже 70 дБ(A). Погрешность K = 3 дБ.
Во время работы уровень шума может превышать 80 дБ(A).

Одевайте наушники!

Технические данные


Пылесос/влагоотсос		GAS 35 L AFC
Товарный №		3 601 JC3 2..
Ном. потребляемая мощность	Вт	1 200
Частота	Гц	50/60
Объем контейнера (брутто)	л	35
Объем нетто (жидкость)	л	19
Объем мешка для пыли	л	19
Макс. разрежение*		
– пылесос	гПа	230
– турбина	гПа	254
Макс. поток воздуха*		
– пылесос	л/с	36
– турбина	л/с	74
Макс. мощность всасывания	Вт	1380
Площадь плоского складчатого фильтра	м ²	0,615
Класс пыли		L
Вес согласно EPTA-Procedure 01/2003	кг	12,2
Класс защиты		⊕/I
Степень защиты		IP X4

* измерено при всасывающем шланге Ø 35 мм с длиной 5 м

Параметры указаны для номинального напряжения 230 В. При более низких напряжениях и специальных видах исполнения для отдельных стран эти параметры могут различаться.

	Автоматическое включение/выключение*		
	Номинальное напряжение	Макс. мощность	Мин. мощность
ЕС	220 – 240 В	2200 Вт	100 Вт
Великобритания	110 В	750 Вт	100 Вт
Великобритания/Дания	240/230 В	1800 Вт	100 Вт
СН	230 В	1100 Вт	100 Вт

* Указание максимально допустимой общей потребляемой мощности подключенного электроинструмента (в зависимости от страны)

Заявление о соответствии 

Мы заявляем с полной ответственностью, что описанный в «Технических данных» продукт отвечает следующим стандартам и нормативам: EN 60335 и директивам 2011/65/EC, 2006/42/EC, 2004/108/EC, включая изменения в этих документах.

Техническая документация (2006/42/EC):

Robert Bosch GmbH, PT/ETM9,
D-70745 Leinfelden-Echterdingen

Dr. Egbert Schneider
Senior Vice President
Engineering

Helmut Heinzelmann
Head of Product Certification
PT/ETM9

Dr. Egbert Schneider i.V. *Helmut Heinzelmann*

Robert Bosch GmbH, Power Tools Division
D-70745 Leinfelden-Echterdingen
15.02.2013

Сборка

- ▶ До начала работ по обслуживанию и настройке пылесоса отсоединяйте сетевой шнур от штепсельной розетки.

Монтаж держателя всасывающего шланга (см. рис. А)

- Плотно наденьте держатель всасывающего шланга **5** сверху на предназначенные для этого крепления **30**, чтобы он вошел в зацепление.

Подключение шланга всасывания (см. рис. В)

- Вставьте шланг **21** в патрубок **2** и поверните его до упора по часовой стрелке.

Указание: Из-за трения пыли при всасывании на всасывающем шланге и принадлежностях образуется электростатический заряд, в результате чего пользователь может испытать статический разряд (в зависимости от условий окружающей среды и чувствительности тела).

В основном Bosch рекомендует использовать антистатический всасывающий шланг (принадлежности) при всасывании мелкой пыли и сухих материалов.

Монтаж принадлежностей для всасывания (см. рис. С)

Всасывающий шланг **21** оснащен системой зажима, при помощи которой можно подсоединять принадлежности для всасывания (муфту для электроинструментов **20**, отсасывающее колено **22**).

Монтаж муфты для электроинструментов

- Наденьте муфту для электроинструментов **20** на всасывающий шланг **21** так, чтобы обе нажимные кнопки **31** на всасывающем шланге отчетливо вошли в зацепление.
- Для демонтажа нажмите нажимные кнопки **31** и снимите детали друг с друга.

Монтаж насадок и труб

- Наденьте отсасывающее колено **22** на всасывающий шланг **21** так, чтобы обе нажимные кнопки **31** на всасывающем шланге отчетливо вошли в зацепление.
- Затем плотно наденьте необходимую всасывающую принадлежность (напольную насадку, щелевую насадку, всасывающую трубу и т.д.) на отсасывающее колено **22**.
- Для демонтажа нажмите нажимные кнопки **31** и снимите детали друг с друга.

Установка/извлечение мешка для сбора мусора или мешка для пыли (сухое отсасывание) (см. рис. D1 – D2)

Для сухого отсасывания можно установить мешок для сбора мусора **23** или мешок для пыли (принадлежность). Это облегчает сбор пыли.

Указание: При использовании бумажного фильтра **обязательно**, при использовании нетканого полотняного фильтра **следует** выключать автоматическую очистку фильтра (AFC) (см. «Выключение AFC», стр. 131).

Установка мешка для сбора мусора

- Откройте замки **11** и снимите верхнюю часть пылесоса **10**.
- Вложите мешок для сбора мусора **23** в контейнер **1** приемным отверстием вперед.
- Натяните приемное отверстие на соединительный фланец до углубления в соединительном фланце.
- Удостоверьтесь в том, что мешок для сбора мусора **23** полностью прилегает к внутренним стенкам контейнера **1**.
- Оберните оставшейся частью мешка для сбора мусора **23** края контейнера **1**.
- Установите чистую верхнюю часть **10** на место и закройте замки **11**.

Извлечение и закрытие мешка для сбора мусора

- Откройте замки **11** и снимите верхнюю часть пылесоса **10**.
- Снимите мешок для сбора мусора **23** с соединительного фланца, потянув назад.
- Осторожно, чтобы не повредить мешок для сбора мусора **23**, извлеките его из пылесоса. При этом следите за тем, чтобы мешок для сбора мусора не касался соединительного фланца или других острых предметов.
- Снимите защитную ленту с клеевой полоски и заклейте мешок для сбора мусора. Затем завяжите мешок для сбора мусора **23** под приемным отверстием при помощи защитной ленты, снятой с клеевой полоски.

Установка/смена мешка для пыли (принадлежности)

- Откройте замки **11** и снимите верхнюю часть пылесоса **10**.
- Снимите пылевой мешок с присоединительного фланца, потянув его назад. Закройте отверстие пылевого мешка, повернув для этого крышку. Выньте закрытый пылевой мешок из пылесоса.
- Наденьте новый мешок для пыли на соединительный фланец пылесоса. Убедитесь в том, что мешок для пыли по всей длине прилегает к внутренней стенке контейнера **1**.
- Установите чистую верхнюю часть **10** на место и закройте замки **11**.

Установка резиновых кромок (Всасывание жидкостей) (см. рис. E)

Указание: Требования по степени фильтрации (пыль класса L) подтверждены только для сухого отсасывания.

- Извлеките вставные щетки **27** при помощи подходящего инструмента из напольной насадки **28**.
- Вставьте резиновые кромки **26** в напольную насадку **28**.

Указание: Структурированная сторона резиновых кромок должна смотреть наружу.

Установка кейса L-Voxx (см. рис. F)

Для транспортировки пылесоса и для экономии места при хранении принадлежностей пылесоса и/или электроинструмента на крышке пылесоса можно установить кейс L-Voxx.

– Установите кейс L-Voxx на крепления **9**.

► **Не переносите пылесос за ручку установленного кейса L-Voxx.** Пылесос слишком тяжелый для ручки кейса L-Voxx. Это чревато травмами и повреждением пылесоса.

Работа с инструментом

Включение электроинструмента

► **Учитывайте напряжение сети! Напряжение источника тока должно соответствовать данным на типовой табличке пылесоса. Пылесосы на 230 В работают и при напряжении 220 В.**

► **Пожалуйста, осведомьтесь о действующих в Вашей стране положениях/законах относительно обращения с вредной для здоровья пылью.**

Пылесос может использоваться для собирания и отсасывания следующих материалов:

– пыль с граничным значением экспозиционной дозы > 1 мг/м³

Не используйте пылесос во взрывоопасных помещениях.

В целях экономии электроэнергии включайте пылесос только непосредственно для использования.

Для обеспечения оптимальной мощности всасывания необходимо всегда полностью разматывать всасывающий шланг **21** с крышки пылесоса **10**.

сухое отсасывание

Собирание пылевых отложений

– Для **включения** пылесоса установите переключатель режимов **6** на символ «Чистка пылесосом».



– Для **выключения** пылесоса установите переключатель режимов **6** на символ «Выключение».



Всасывание пыли от работающих электроинструментов (см. рис. G)

► **Если отработанный воздух отводится в помещение, в помещении должна быть обеспечена достаточная кратность воздухообмена (L). Обратите внимание на соответствующие предписания, действующие в Вашей стране.**

В пылесосе имеется розетка с защитным контактом **4**. В нее можно включить внешний электроинструмент. Обратите внимание на максимально допустимую общую потребляемую мощность подключенного электроинструмента.

– Установите муфту для электроинструментов **20** (см. «Монтаж муфты для электроинструментов», стр. 129).
– Вставьте муфту для электроинструментов **20** во всасывающий патрубок электроинструмента.

– Для того, чтобы **задействовать автоматическое включение/выключение** пылесоса, установите переключатель режимов **6** на символ «Автоматическое включение/выключение».



– Для **включения** пылесоса включите электроинструмент, подключенный к штепсельной розетке **4**. Пылесос запускается автоматически.

– Выключите электроинструмент, чтобы **отсасывание прекратилось**.

Функция холостого хода автоматического включения/выключения обеспечивает работу в течение ок. 15 секунд после выключения, чтобы отсосать остатки пыли из всасывающего шланга.

– Для **выключения** пылесоса установите переключатель режимов **6** на символ «Выключение».



Всасывание жидкостей

► **Не засасывайте пылесосом горючие или взрывоопасные жидкости, напр., бензин, масло, спирт, растворители. Не всасывайте горячую или горящую пыль. Не пользуйтесь пылесосом во взрывоопасных помещениях.** Пыль, пары или жидкости могут воспламениться или взорваться.

► **Не рекомендуется использовать пылесос в качестве насоса для воды.** Пылесос предназначен для всасывания водно-воздушной смеси.

► **До начала работ по обслуживанию и настройке пылесоса отсоединяйте сетевой шнур от штепсельной розетки.**

Указание: Требования по степени фильтрации (пыль класса L) подтверждены только для сухого отсасывания.

– Перед влажным отсасыванием вынимайте мешок для сбора мусора **23** или мешок для пыли **1** и опорожняйте контейнер.

Указание: Для облегчения сбора смеси воды и твердых материалов используйте мокрый фильтр (принадлежность), который отделяет жидкость от твердых материалов.

– Вставьте резиновые кромки в напольную насадку (см. «Установка резиновых кромок», стр. 129).

– Выключите автоматическую очистку фильтра (AFC) (см. «Выключение AFC», стр. 131).

Пылесос оснащен датчиком уровня жидкости **35**. При достижении максимального уровня заполнения пылесос отключается. Установите переключатель режимов **6** на символ «Выключение».

Указание: В случае отсасывании непроводящих жидкостей (напр., буровой эмульсии, масел и консистентных смазок) пылесос не выключается при заполнении контейнера. Наполненность необходимо постоянно проверять и вовремя опорожнять контейнер.

Во избежание образования плесени после влажного отсасывания:

– Извлеките плоский складчатый фильтр **24** дайте ему как следует просохнуть.
– Снимите крышку пылесоса **10**, откройте крышку фильтра **34** и дайте обеим деталям как следует просохнуть.

Очистка фильтра

Автоматическая очистка фильтра (см. рис. H)

При автоматической очистке фильтра (AFC = Automatic Filter Cleaning) плоский складчатый фильтр очищается **24** каждые 15 секунд посредством воздушных ударов (пульсирующий шум).

Очистку фильтра следует выполнять, как только заметно упадет производительность всасывания.

При регулярном использовании очистки фильтра увеличивается срок службы фильтра.

Для достижения идеального срока службы фильтра включайте автоматическую очистку фильтра только в исключительных случаях, напр., при отсасывании чистых жидкостей или в случае применения бумажного мешка.

Загрязненный снаружи фильтр обладает полной функциональностью. Очистка фильтра вручную путем выбивания или обдува не только не требуется, но к тому же может повредить фильтр.

Указание: При поставке с завода автоматическая очистка фильтра включена.

Включение/выключение автоматической очистки фильтра возможно только при включенном инструменте.

– Выключение AFC

Нажмите на кнопку AFC **3**.
Контрольный светодиод **33** гаснет.

– Включение AFC

Нажмите на кнопку AFC **3**.
Контрольный светодиод **33** светится зеленым цветом.

Техобслуживание и сервис

Техобслуживание и очистка

- ▶ **До начала работ по обслуживанию и настройке пылесоса отсоедините сетевой шнур от штепсельной розетки.**
- ▶ **Для обеспечения качественной и безопасной работы содержите пылесос и вентиляционные прорези в чистоте.**
- ▶ **При обслуживании и чистке пылесоса одевайте пылезащитную маску.**

Если требуется поменять шнур, обращайтесь на фирму Bosch или в авторизованную сервисную мастерскую для электроинструментов Bosch.

Минимум один раз в год необходимо, чтобы производитель или проинструктированный специалист проводили проверку электроинструмента на предмет качества собирания пыли, напр., повреждения фильтра, герметичность пылесоса и исправность контрольного устройства.

В пылесосах класса **L**, находившихся в загрязненной среде, необходимо очищать наружную поверхность, а также все детали электроинструмента или обрабатывать их герметиком. При проведении работ по техобслуживанию и ремонтных работ все загрязненные детали, которые нельзя надлежащим образом очистить, подлежат утилизации. Такие детали необходимо утилизировать в непроницае-

мых мешочках в соответствии с действующими положениями по утилизации таких отходов.

При техобслуживании пользователем пылесос необходимо разобрать, очистить и провести работы по техобслуживанию, не подвергая при этом опасности обслуживающий персонал и других людей. Перед разборкой необходимо очистить пылесос, чтобы предотвратить возможные опасности. Помещение, в котором проводится разборка пылесоса, должно быть хорошо проветренным. При проведении работ по техобслуживанию носите индивидуальные средства защиты. После проведения работ по техобслуживанию необходимо убрать место, где проводилось техобслуживание.

Извлечение/замена плоского складчатого фильтра (см. рис. I1 – I2)

Поврежденный плоский складчатый фильтр **24** подлежит немедленной замене.

- Потяните за язычок **16** и откройте крышку фильтра **34**.
- Возьмите плоский складчатый фильтр **24** за стенки и извлеките его, потянув вверх.
- Влажной тряпкой удалите пыль и грязь, опавшую при извлечении плоского складчатого фильтра **24**, с кромки крышки фильтра **34**.
- Выбейте плоский складчатый фильтр **24**.
Плоские складчатые фильтры из PES (полиэфирсульфон) и PTFE (политетрафторэтилен) можно промывать под проточной водой.
- Вставьте новый или очищенный плоский складчатый фильтр **24** и следите за тем, чтобы он сидел плотно и правильно.
- Закройте крышку фильтра **34** (она должна отчетливо войти в зацепление).

Контейнер

- Время от времени очищайте контейнер **1** изнутри обычным чистящим средством, не имеющим абразивного действия, и перед сборкой высушивайте его.

Датчики уровня (см. рис. J)

Время от времени очищайте датчики уровня **35**.

- Откройте замки **11** и снимите верхнюю часть пылесоса **10**.
- Датчики уровня **35** очищайте мягкой салфеткой.
- Установите чистую верхнюю часть **10** на место и закройте замки **11**.

Хранение и транспортировка (см. рис. K)

- Обмотайте шнур питания вокруг крепления кабеля **15**.
- Вставьте принадлежности в предназначенные крепления: всасывающие трубы **29** в крепления **17**, щелевую насадку **25** в крепление **18**, напольную насадку **28** в крепление **19**.
- Откройте эластичные ленты крепления всасывающего шланга **5** и проложите всасывающий шланг **21** вокруг крышки пылесоса в крепление **5**.
Вставьте на место эластичные ленты.
- Установите кейс L-Voxh на крепления **9**.
- Извлеките полный мешок для сбора мусора или мешок для пыли или опорожните собранную жидкость перед

132 | Русский

транспортировкой пылесоса, чтобы не надорвать спину.
Переносите пылесос только за ручку **8**.

- Убирайте пылесос на хранение в сухое помещение и защищайте его от несанкционированного использования.
- Для фиксации направляющего ролика **14** опустите тормоз направляющего ролика **13** вниз.

Устранение неисправностей

Проблема	Устранение
Всасывающая турбина не запускается.	<ul style="list-style-type: none"> – Проверьте шнур питания, штепсель, предохранитель, штепсельную розетку и датчики уровня жидкости 35. – Переключатель режимов 6 стоит в положении «Автоматическое включение/выключение». – Установите переключатель режимов 6 в положение «Чистка пылесосом» или включите подключенный к розетке 4 электроинструмент.
Всасывающая турбина выключается.	– Опорожните контейнер 1 .
После опорожнения контейнера турбина не включается.	<ul style="list-style-type: none"> – Выключите пылесос и подождите 5 секунд, через 5 секунд включите его снова. – Почистите датчики уровня жидкости 35, а также пространство между датчиками уровня жидкости 35 щеткой.
Мощность всасывания падает.	<ul style="list-style-type: none"> – Удалите засорение из всасывающей насадки, всасывающей трубы 29, всасывающего шланга 21 или плоского складчатого фильтра 24. – Смените мешок для сбора мусора 23 или мешок для пыли. – Правильно вставьте крышку фильтра 34 до щелчка. – Правильно поставьте крышку пылесоса 10 и закройте замки 11. – Замените плоский складчатый фильтр 24.
При чистке пылесосом из него разлетается пыль.	<ul style="list-style-type: none"> – Проверьте правильность установки плоского складчатого фильтра 24. – Замените плоский складчатый фильтр 24.
Автоматическое выключение (влажное отсасывание) не срабатывает.	<ul style="list-style-type: none"> – Почистите датчики уровня жидкости 35, а также пространство между датчиками уровня жидкости 35 щеткой. – В случае непроводящих жидкостей или при образовании пены автоматическое выключение не работает. – Постоянно проверяйте уровень заполнения.
Автоматическая очистка фильтра не работает.	<ul style="list-style-type: none"> – Включите очистку фильтра (нажмите кнопку AFC 3). – Подсоедините всасывающий шланг 21.
Автоматическая очистка фильтра не выключается.	– Обратитесь в авторизованную сервисную мастерскую Bosch.
Автоматическая очистка фильтра не включается.	– Обратитесь в авторизованную сервисную мастерскую Bosch.

Сервис и консультирование на предмет использования продукции

При всех дополнительных вопросах и заказе запчастей, пожалуйста, обязательно указывайте 10-значный товарный номер, указанный на заводской табличке пылесоса.

Сервисная мастерская ответит на все Ваши вопросы по ремонту и обслуживанию Вашего продукта и по запчастям. Монтажные чертежи и информацию по запчастям Вы найдете также по адресу:

www.bosch-pt.com

Коллектив сотрудников Bosch, предоставляющий консультации на предмет использования продукции, с удовольствием ответит на все Ваши вопросы относительно нашей продукции и ее принадлежностей.

Для региона: Россия, Беларусь, Казахстан

Гарантийное обслуживание и ремонт электроинструмента, с соблюдением требований и норм изготовителя производится на территории всех стран только в фирменных или авторизованных сервисных центрах «Роберт Бош».

ПРЕДУПРЕЖДЕНИЕ! Использование контрафактной продукции опасно в эксплуатации, может привести к ущербу для Вашего здоровья. Изготовление и распространение контрафактной продукции преследуется по Закону в административном и уголовном порядке.

Россия

ООО «Роберт Бош»
Сервисный центр по обслуживанию электроинструмента
ул. Академика Королева, стр. 13/5
129515, Москва
Россия
Тел.: +8 800 100 8007
E-Mail: pt-service.ru@bosch.com
Полную информацию о расположении сервисных центров Вы можете получить на официальном сайте www.bosch-pt.ru либо по телефону справочно-сервисной службы Bosch 8-800-100-8007 (звонок бесплатный).

Беларусь

ИП «Роберт Бош» ООО
Сервисный центр по обслуживанию электроинструмента
ул. Тимирязева, 65А-020
220035, г. Минск
Беларусь
Тел.: +375 (17) 254 78 71
Тел.: +375 (17) 254 79 15/16
Факс: +375 (17) 254 78 75
E-Mail: pt-service.by@bosch.com
Официальный сайт: www.bosch-pt.by

Казахстан

ТОО «Роберт Бош»
Сервисный центр по обслуживанию электроинструмента
г. Алматы
Казахстан
050050
пр. Райымбека 169/1
уг. ул. Коммунальная
Тел.: +7 (727) 232 37 07
Факс: +7 (727) 233 07 87
E-Mail: info.powertools.ka@bosch.com
Официальный сайт: www.bosch.kz; www.bosch-pt.kz

Утилизация

Отслужившие свой срок пылесос, принадлежности и упаковку следует сдавать на экологически чистую рециркуляцию отходов.

Не выбрасывайте пылесос в бытовой мусор!

Только для стран-членов ЕС:

Согласно Европейской Директиве 2012/19/EU о старых электрических и электронных инструментах и приборах и адекватному предписанию национально-го права, отслужившие свой срок электроинструменты должны отдельно собираться и сдаваться на экологически чистую утилизацию.

Возможны изменения.**Українська****Вказівки з техніки безпеки**

Прочитайте всі застереження і вказівки. Недотримання застережень і вказівок може призвести до ураження електричним струмом, пожежі та/або серйозних травм.

Добре зберігайте ці вказівки.

- ▶ **Не всмоктуйте брушину або дубову тирсу, породний пил та азбест.** Ці речовини вважаються канцерогенними.

⚠ ПОПЕРЕДЖЕННЯ

Використовуйте відсмоктувач лише тоді, якщо Ви отримали достатньо інформації стосовно використання відсмоктувача, речовин, які відсмоктуються, та їхнього безпечного видалення. Ретельний інструктаж зменшує ризик неправильного користування приладом та ризик травм.

- ▶ **Цей відсмоктувач не призначений для використання дітьми та особами з обмеженими фізичними, сенсорними або розумовими здібностями або недостатнім досвідом і знаннями.** Інакше можливе неправильне використання та небезпека одержання травм.

- ▶ **Дивіться за дітьми.** Діти не повинні гратися з відсмоктувачем.

- ▶ **Дітям дозволяється здійснювати очищення та технічне обслуговування відсмоктувача лише під наглядом.**

⚠ ПОПЕРЕДЖЕННЯ

Відсмоктувач призначений для збирання сухих речовин, а при вживанні відповідних заходів – також і для всмоктування рідин. Потраплення рідини в прилад збільшує ризик ураження електричним струмом.

- ▶ **Не всмоктуйте відсмоктувачем горючі або вибухонебезпечні рідини, наприклад, бензин, олію, спирт, розчинники. Не всмоктуйте гарячий пил та пил, що горить. Не працюйте з відсмоктувачем в приміщеннях, де існує небезпека вибуху.** Пил, пари або рідини можуть загорятися або вибухнути.

⚠ ПОПЕРЕДЖЕННЯ

Використовуйте розетку лише в зазначених в інструкції з експлуатації цілях.

⚠ ПОПЕРЕДЖЕННЯ

Негайно вимкніть відсмоктувач при витіканні піни або води і спорожніть ємність. Інакше відсмоктувач може пошкодитися.

⚠ УВАГА

Захищайте відсмоктувач від дощу і вологи. Потраплення води в кришку відсмоктувача збільшує ризик ураження електричним струмом.

- ▶ **Відсмоктувач дозволяється зберігати лише в приміщеннях.**

134 | Українська

⚠ УВАГА Регулярно очищайте датчики рівня рідини та перевіряйте їх на предмет пошкодження. Забруднення та пошкодження негативно впливають на функціональну здатність датчиків.

- ▶ **Якщо не можна запобігти використанню відсмоктувача у вологому середовищі, використовуйте пристрій захисного вимкнення.** Використання пристрою захисного вимкнення зменшує ризик ураження електричним струмом.
- ▶ **Вмикайте відсмоктувач в мережу, що належним чином заземлена.** В розетці і в подовжувальному кабелі має бути справний захисний провід.
- ▶ **Кожного разу перед використанням перевіряйте відсмоктувач, кабель і штепсель. Не користуйтеся відсмоктувачем в разі пошкодження. Не розкривайте відсмоктувач самостійно, його ремонт дозволяється виконувати лише кваліфікованому персоналу і лише з використанням оригінальних запчастин Bosch.** Пошкоджений відсмоктувач, шнур або штепсель збільшує ризик ураження електричним струмом.
- ▶ **Не переїжджайте через шнур та не здавлюйте його. Не тягніть за шнур, щоб витягнути штепсель з розетки або перемістити відсмоктувач.** Пошкоджений шнур збільшує ризик ураження електричним струмом.
- ▶ **Перш, ніж здійснити обслуговування, чищення або налаштування відсмоктувача, змінити приладдя або відкласти відсмоктувач, витягуйте штепсель з розетки.** Ці попереджувальні заходи запобігають ненавмисному вмиканню відсмоктувача.
- ▶ **Слідкуйте за доброю вентиляцією на робочому місці.**
- ▶ **Ремонтувати відсмоктувач дозволяється лише фахівцям з використанням оригінальних запчастин.** Цим забезпечується збереження відсмоктувачем його безпечних властивостей.

⚠ ПОПЕРЕДЖЕННЯ Відсмоктувач містить шкідливий для здоров'я пил. Процедури спорожнення та технічного обслуговування, включаючи видалення ємності для пилу, можна проводити лише силами фахівців. Необхідне відповідне захисне спорядження. Не експлуатуйте відсмоктувач без повної фільтрувальної системи. Інакше Ви наразите на небезпеку своє здоров'я.

- ▶ **Перед експлуатацією перевіряйте бездоганний стан відсмоктувального шланга. Залишайте відсмоктувальний шланг під'єднаним до приладу, щоб пил не міг ненавмисне висипатися.** Інакше Ви можете вдихнути пил.
- ▶ **Акуратно поводьтеся з мережним шнуром та відсмоктувальним шлангом.** Інакше Ви можете наразити інших осіб на небезпеку.
- ▶ **Не очищайте відсмоктувач під прямим струменем води.** Потраплення води в кришку відсмоктувача збільшує ризик ураження електричним струмом.

Символи

Нижчеподані символи можуть знадобитись Вам при користуванні відсмоктувачем. Будь ласка, запам'ятайте ці символи та їх значення. Правильне розуміння символів допоможе Вам правильно та небезпечно користуватися відсмоктувачем.

Символи та їх значення



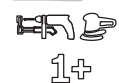
⚠ ОБЕРЕЖНО Прочитайте всі застереження і вказівки. Недотримання застережень і вказівок може призвести до ураження електричним струмом, пожежі та/або серйозних травм.



Відсмоктувач класу пилу L згідно IEC/EN 60335-2-69 для **сухого відсмоктування** шкідливого для здоров'я пилу з граничним значенням експозиційної дози > 1 мг/м³



⚠ ПОПЕРЕДЖЕННЯ Відсмоктувач містить шкідливий для здоров'я пил. Процедури спорожнення та технічного обслуговування, включаючи видалення ємності для пилу, можна проводити лише силами фахівців. Необхідне відповідне захисне спорядження. Не експлуатуйте відсмоктувач без повної фільтрувальної системи. Інакше Ви наразите на небезпеку своє здоров'я.



Автоматичне вмикання/вимкнення
Відсмоктування пилу від працюючих електроприладів
Відсмоктувач автоматично вмикається і через деякий час знову вимикається
Вимкнення

0



Відсмоктування
Збирання пилу, що поосідав

Символи та їх значення

max.
2200 W
min.
100 W

Дані щодо максимально допустимої сумарної споживаної потужності під'єднаного електроінструменту (залежно від країни)



Min/Max

Плавне регулювання потужності всмоктування:

- максимальна потужність всмоктування для використання в умовах сильної запиленості
- знижена потужність всмоктування для використання в умовах невеликої запиленості і, напр., для регулювання сили засмокування між під'єднаним електроінструментом і поверхнею заготовки (напр., під час шліфування)



AFC

Автоматичне очищення фільтра (AFC = Automatic Filter Cleaning)



Встановлювати не більше одного кейса L-Boxx.
Вага кейса L-Boxx разом з його змістом не повинна перевищувати 15 кг.



► **Не підвішуйте відсмоктувач на гак крана, напр., для транспортування.** Відсмоктувач не пристосований для переміщення краном. Існує небезпека травми і пошкодження відсмоктувача.



► **Не ставьте і не сідайте на відсмоктувач, а також не використовуйте його в якості драбини.** Відсмоктувач може перекинутися і пошкодитися. Існує небезпека поранення.

Опис продукту і послуг

Будь ласка, розгорніть сторінку із зображенням відсмоктувача і залишайте її перед собою увесь час, коли Ви будете читати інструкцію з експлуатації.

Призначення приладу

Прилад призначений для збору, всмоктування, переміщення та відділення негорючого сухого пилу, негорючих рідин та водно-повітряної суміші. Відсмоктувач пройшов перевірку на предмет збирання пилу і відповідає класу пилу L. Він придатний для підвищених навантажень при професійному використанні, напр., для ремісницьких робіт, промисловості і майстерень.

Відсмоктувач для пилу класу L згідно IEC/EN 60335-2-69 дозволено використовувати лише для всмоктування і відсмоктування шкідливого для здоров'я пилу з граничним значенням експозиційної дози > 1 мг/м³.

Використовуйте відсмоктувач лише у тому випадку, якщо всі функції знаходяться у Вас повністю під контролем і Ви не вбачаєте обмежень в їх використанні або отримали відповідні вказівки.

Зображені компоненти

Нумерація зображених компонентів посилається на зображення відсмоктувача на сторінці з малюнком.

- 1 Ємність
- 2 Під'єднувач
- 3 Кнопка AFC
- 4 Розетка для електроприладу
- 5 Тримач відсмоктувального шланга
- 6 Перемикач режимів роботи
- 7 Регулятор потужності всмоктування
- 8 Переносна рукоятка
- 9 Кріплення для кейса L-Boxx
- 10 Кришка відсмоктувача
- 11 Замок кришки відсмоктувача
- 12 Ходове колесо
- 13 Гальмо прямого ролика
- 14 Напрямний ролик
- 15 Кріплення для шнура
- 16 Язичок кришки фільтра
- 17 Тримач для всмоктувальних труб
- 18 Тримач для щілинної насадки/відсмоктувального коліна
- 19 Тримач для підлогової насадки
- 20 Муфта для електроінструментів
- 21 Відсмоктувальний шланг
- 22 Відсмоктувальне коліно
- 23 Пакет для сміття
- 24 Плоский складчастий фільтр (PES – поліефірсульфон)
- 25 Щілинна насадка
- 26 Гумова окрайка

136 | Українська

- 27** Вставні щітки
- 28** Підлогова насадка
- 29** Всмоктувальна труба
- 30** Кріплення для тримача відсмоктувального шланга
- 31** Натискна кнопка
- 32** Отвір для повітря із заглушкою
- 33** Контрольний світлодіод
- 34** Кришка фільтра
- 35** Датчики рівня заповнення

***Зображене або описане приладдя не входить в стандартний обсяг поставки. Повний асортимент приладдя Ви знайдете в нашій програмі приладдя.**

Технічні дані

Вологовідсмоктувач/пилосос		GAS 35 L AFC
Товарний номер		3 601 JC3 2..
Ном. споживана потужність	Вт	1200
Частота	Гц	50/60
Місткість ємності (брутто)	л	35
Місткість нетто (рідина)	л	19
Місткість мішка для пилу	л	19
Макс. розрідження*		
– Відсмоктувач	гПа	230
– Турбіна	гПа	254
Макс. потік повітря*		
– Відсмоктувач	л/с	36
– Турбіна	л/с	74
Макс. потужність всмоктування	Вт	1380
Площа плаского складчастого фільтра	м ²	0,615
Клас пилу		L
Вага відповідно до EPTA-Procedure 01/2003	кг	12,2
Клас захисту		⊕/Г
Ступінь захисту		IP X4

* виміряно при відсмоктувальному шланзі Ø 35 мм з довжиною 5 м

Дані зазначені для номінальної напруги [U] 230 В. При меншій напрузі і в спеціальних конструкціях для певних країн ці дані можуть відрізнятися.

Автоматичне вмикання/вимикання*			
	Ном. напруга	Макс. потужність	Мін. потужність
ЄС	220 – 240 В	2200 Вт	100 Вт
Великобританія	110 В	750 Вт	100 Вт
Великобританія/Данія	240/230 В	1800 Вт	100 Вт
СН	230 В	1100 Вт	100 Вт

* Дані щодо максимально допустимої сумарної споживаної потужності під'єданого електроінструменту (залежно від країни)

Інформація щодо шуму

Рівень шумів визначений відповідно до норми EN 60704.

A-зважений рівень звукового тиску від відсмоктувача, як правило, нижчий за 70 дБ(A). Похибка K = 3 дБ.

Рівень шуму при роботі може перевищувати 80 дБ(A).

Вдягайте навушники!

Заява про відповідність 

Ми заявляємо під нашу виключну відповідальність, що описаний в «Технічних даних» продукт відповідає таким нормам або нормативним документам: EN 60335 та директивам 2011/65/ЄС, 2006/42/ЄС, 2004/108/ЄС, включаючи зміни в цих документах.

Технічна документація (2006/42/ЄС):

Robert Bosch GmbH, PT/ETM9,
D-70745 Leinfelden-Echterdingen

Dr. Egbert Schneider Helmut Heinzelmann
Senior Vice President Head of Product Certification
Engineering PT/ETM9

Dr. Egbert Schneider i.V. Helmut Heinzelmann

Robert Bosch GmbH, Power Tools Division
D-70745 Leinfelden-Echterdingen
15.02.2013

Монтаж

- **Перед всіма роботами витягуйте мережний штепсель відсмоктувача з розетки.**

Монтаж тримача відсмоктувального шланга (див. мал. А)

- Щільно надіньте тримач відсмоктувального шланга **5** зверху на призначені для цього кріплення **30**, щоб він зайшов у зачеплення.

Монтаж всмоктувального шланга (див. мал. В)

- Встроміть відсмоктувальний шланг **21** на під'єднувач **2** і поверніть його за стрілкою годинника до упору.

Вказівка: Через тертя пилу при відсмоктуванні на відсмоктувальному шланзі і приладді створюється електростатичний заряд, в результаті чого користувач може відчути статичний розряд (залежно від умов навколишнього середовища і чутливості тіла). В основному Bosch рекомендує використовувати антистатичний відсмоктувальний шланг (приладдя) при відсмоктуванні дрібного пилу і сухих матеріалів.

Монтаж приладдя для відсмоктування (див. мал. С)

Відсмоктувальний шланг **21** обладнано системою затиску, за допомогою якої можна під'єднувати приладдя для відсмоктування (муфту для електроінструментів **20**, відсмоктувальне коліно **22**).

Монтаж муфти для електроінструментів

- Надіньте муфту для електроінструментів **20** на відсмоктувальний шланг **21** так, щоб обидві натискні кнопки **31** на відсмоктувальному шланзі відчутно увійшли в зачеплення.
- Для демонтажу утисніть натискні кнопки **31** і розніміть деталі.

Монтаж насадок і труб

- Надіньте відсмоктувальне коліно **22** на відсмоктувальний шланг **21** так, щоб обидві натискні кнопки **31** на відсмоктувальному шланзі відчутно увійшли в зачеплення.
- Потім щільно надіньте потрібне приладдя для відсмоктування (підлогову насадку, щілинну насадку, всмоктувальну трубу тощо) на відсмоктувальне коліно **22**.
- Для демонтажу утисніть натискні кнопки **31** і розніміть деталі.

Встановлення/вилучення пакета для сміття або мішка для пилу (сухе відсмоктування) (див. мал. D1 – D2)

Для сухого відсмоктування можна вставляти пакет для сміття **23** або мішок для пилу (приладдя). Це полегшить збирання пилу.

Вказівка: При використанні паперового фільтрувального мішка **обов'язково**, а при використанні нетканого полотняного фільтрувального мішка **бажано** вимикати автоматичне очищення фільтра (AFC) (див. «Вимкнення AFC», стор. 138).

Встромляння пакета для сміття

- Відкрийте замки **11** і зніміть кришку пиლოსоса **10**.
- Укладіть пакет для сміття **23** у ємність **1** приймальним отвором вперед.
- Натягніть приймальний отвір на під'єднувальний фланець до заглиблення в під'єднувальному фланці.
- Упевніться в тому, що пакет для сміття **23** повністю прилягає до стінок ємності **1**.
- Огорніть решетою пакета для сміття **23** край ємності **1**.
- Знову надіньте кришку відсмоктувача **10** і закрийте замки **11**.

Вилучення і закриття пакета для сміття

- Відкрийте замки **11** і зніміть кришку пиლოსоса **10**.
- Зніміть повний пакет для сміття **23** з під'єднувального фланця, потягнувши його назад.
- Обережно, щоб не пошкодити, вийміть пакет для сміття **23** з відсмоктувача.
При цьому слідкуйте за тим, щоб пакет для сміття не торкався під'єднувального фланця або інших гострих предметів.
- Зніміть захисну стрічку з клейкої смужки і заклейте пакет для сміття.
Потім перев'яжіть пакет для сміття **23** під приймальним отвором за допомогою захисної стрічки, знятої з клейкої смужки.

Заміна/встромляння мішка для пилу (приладдя)

- Відкрийте замки **11** і зніміть кришку пиლოსоса **10**.
- Зніміть повний мішок для пилу з під'єднувального фланця, потягнувши його назад. Закрийте отвір мішка для пилу, опустивши кришку. Вийміть закритий мішок для пилу з відсмоктувача.
- Надіньте новий мішок для пилу на під'єднувальний фланець відсмоктувача. Перевірте, щоб мішок для пилу по всій довжині прилягав до внутрішньої стінки ємності **1**.
- Знову надіньте кришку відсмоктувача **10** і закрийте замки **11**.

Встановлення гумової окрайки (Вологе відсмоктування) (див. мал. E)

Вказівка: Вимоги щодо ступеню фільтрації (пил класу L) підтвержені лише для сухого відсмоктування.

- За допомогою придатного інструмента вийміть вставні щітки **27** з підлогової насадки **28**.
- Вставте гумову окрайку **26** в підлогову насадку **28**.

Вказівка: Структурований бік гумової окрайки повинен дивитися назовні.

Встановлення кейса L-Boxx (див. мал. F)

Для транспортування відсмоктувача і для економії місця при зберіганні приладдя відсмоктувача і/або електроінструменту на кришку відсмоктувача можна встановити кейс L-Boxx.

- Встановіть кейс L-Boxx на кріплення **9**.

► **Не переносьте відсмоктувач за ручку встановленого кейса L-Boxx.** Для ручки кейса L-Boxx відсмоктувач занадто важкий. Існує небезпека травм і пошкодження відсмоктувача.

Робота**Початок роботи**

► **Зважайте на напругу у мережі! Напруга в джерелі струму повинна відповідати даним на заводській таблиці відсмоктувача. Електроприлади, розраховані на 230 В, можуть працювати також і від 220 В.**

► **Будь ласка, довідайтесь про чинні положення/закони стосовно поводження із шкідливим для здоров'я пилом, що діють у Вашій країні.**

Відсмоктувач може використовуватися для збирання та відсмоктування наступних матеріалів:

- Пил з граничним значенням експозиційної дози > 1 мг/м³

Не працюйте з відсмоктувачем в приміщеннях, де існує небезпека вибуху.

З міркувань заощадження електроенергії вмикайте відсмоктувач лише тоді, коли збираєтесь ним користуватися.

138 | Українська

Для досягнення оптимальної потужності всмоктування необхідно завжди повністю розмотувати відсмоктувальний шланг **21** з кришки відсмоктувача **10**.

сухе відсмоктування**Збирання пилу, що поосідав**

- Щоб **увімкнути** відсмоктувач, встановіть перемикач режимів роботи **6** на символ «Відсмоктування».
- Щоб **вимкнути** відсмоктувач, встановіть перемикач режимів роботи **6** на символ «Вимкнення».

**Відсмоктування пилу від працюючих електроприладів (див. мал. G)**

- ▶ У приміщенні повинна бути забезпечена достатня кратність повітрообміну (L), якщо спрацьоване повітря відводиться у приміщення. Зважайте на відповідні приписи, що діють у Вашій країні.

У відсмоктувач інтегрована розетка з захисним контактом **4**. У неї можна увімкнути зовнішній електроінструмент. Зважайте на максимально допустиму сумарну споживану потужність під'єданого електроінструменту.

- Встановіть муфту для електроінструментів **20** (див. «Монтаж муфти для електроінструментів», стор. 137).
- Вставте муфту для електроінструментів **20** у відсмоктувальний патрубок електроінструменту.
- Щоб **здійяти автоматичне вмикання/вимкнення** відсмоктувача, встановіть перемикач режимів роботи **6** на символ «Автоматичне вмикання/вимкнення».
- Щоб **увімкнути** відсмоктувач, увімкніть підключений до розетки **4** електроприлад. Відсмоктувач автоматично починає працювати.
- Вимкніть електроінструмент, щоб **відсмоктування припинилося**. Функція холостого ходу автоматичного вмикання/вимкнення забезпечує роботу протягом прибл. 15 секунд після вимкнення, щоб всмоктати залишки пилу з відсмоктувального шланга.
- Щоб **вимкнути** відсмоктувач, встановіть перемикач режимів роботи **6** на символ «Вимкнення».

**Вологе відсмоктування**

- ▶ **Не всмоктуйте відсмоктувачем горючі або вибухонебезпечні рідини, наприклад, бензин, олію, спирт, розчинники. Не всмоктуйте гарячий пил та пил, що горить. Не працюйте з відсмоктувачем в приміщеннях, де існує небезпека вибуху.** Пил, пари або рідини можуть загорятися або вибухнути.
- ▶ **Відсмоктувач не дозволяється використовувати в якості помпи для води.** Відсмоктувач призначений для відсмоктування водно-повітряної суміші.
- ▶ **Перед всіма роботами витягуйте мережний штепсель відсмоктувача з розетки.**

Вказівка: Вимоги щодо ступеню фільтрації (пил класу L) підтвержені лише для сухого відсмоктування.

- Перед вологим відсмоктуванням вийміть пакет для сміття **23** або мішок для пилу і спорожніть ємність **1**.

Вказівка: Для полегшення збирання суміші води й твердих матеріалів використовуйте вологий фільтр (приладдя), який відділяє рідину від твердих матеріалів.

- Встановіть гумову окрайку в підлогову насадку (див. «Встановлення гумової окрайки», стор. 137).
- Вимкніть автоматичне очищення фільтра (AFC) (див. «Вимкнення AFC», стор. 138).

Відсмоктувач обладнаний датчиками рівня заповнення **35**. При досягненні максимального рівня заповнення відсмоктувач вимикається. Встановіть перемикач режимів роботи **6** на символ «Вимкнення».

Вказівка: При відсмоктуванні непровідних рідин (напр., свердильної емульсії, олів і мастил) відсмоктувач не буде вимикатися при повній ємності. Потрібно постійно перевіряти рівень заповнення і вчасно спорожнювати ємність.

Для запобігання утворенню плісняви після вологого відсмоктування:

- Вийміть плаский складчастий фільтр **24** і дайте йому добре просохнути.
- Зніміть кришку відсмоктувача **10**, відкрийте кришку фільтра **34** і дайте обом деталям добре просохнути.

Очищення фільтра**Автоматичне очищення фільтра (див. мал. H)**

При автоматичному очищенні фільтра (AFC = Automatic Filter Cleaning) плаский складчастий фільтр **24** кожні 15 сек. очищується поштовхами повітря (пульсуєючий шум).

Функцію очищення фільтра треба увімкнути максимум тоді, коли потужності відсмоктування почне не вистачати.

За умови регулярного використання очищення фільтра збільшує експлуатаційний ресурс фільтрів.

Для досягнення ідеального експлуатаційного ресурсу фільтра вимикайте автоматичне очищення фільтра лише у виняткових випадках, напр., при відсмоктуванні чистих рідин або при використанні паперових фільтрувальних мішків.

Забруднений ззовні плаский складчастий фільтр є повністю функціональним. Очищення плаского складчастого фільтра вручну методом вибивання або продування не тільки не потрібне, а до того ж може пошкодити фільтр.

Вказівка: При поставці із заводу автоматичне очищення фільтра увімкнене.

Вмикання/вимкнення автоматичного очищення фільтра можливе лише при увімкненому інструменті.

- **Вимкнення AFC**
Натисніть на кнопку AFC **3**.
Контрольний світлодіод **33** гасне.

- **Вмикання AFC**
Натисніть на кнопку AFC **3**.
Контрольний світлодіод **33** світиться зеленим кольором.

Технічне обслуговування і сервіс

Технічне обслуговування і очищення

- ▶ **Перед всіма роботами витягуйте мережний штепсель відсмоктувача з розетки.**
- ▶ **Для якісної і безпечної роботи тримайте відсмоктувач і вентиляційні отвори в чистоті.**
- ▶ **При обслуговуванні і чищенні відсмоктувача вдягайте пилозахисну маску.**

Якщо треба поміняти під'єднувальний кабель, це треба робити на фірмі Bosch або в сервісній майстерні для електроінструментів Bosch, щоб уникнути небезпек.

Щонайменше один раз на рік необхідно, щоб виробник або вивчена особа проводили перевірку приладу на предмет збирання пилу, напр., пошкодження фільтра, щільність відсмоктувача та справність контрольного пристрою.

У відсмоктувачах класу L, що знаходилися в забрудненому середовищі, необхідно очистити зовнішню поверхню та всі деталі приладу або обробити їх герметиком. При технічному обслуговуванні та ремонтних роботах всі забруднені деталі, які не можна задовільно очистити, необхідно видалити. Такі деталі необхідно видалити у непрониких мішках у відповідності до чинних положень щодо усунення таких відходів.

При технічному обслуговуванні користувачем відсмоктувач необхідно демонтувати, очистити та виконати можливі роботи з технічного обслуговування, не наражаючи при цьому на небезпеку обслуговуючий персонал та інших осіб. Перед демонтажем пирососа треба прочистити, щоб запобігти можливим небезпекам.

Приміщення, в якому демонтується пиросос, повинно добре провітрюватися. Під час технічного обслуговування вдягайте особисте захисне спорядження. Після технічного обслуговування треба прибрати місце, де здійснювалося технічне обслуговування.

Виймання/заміна плаского складчастого фільтра (див. мал. 11 – 12)

Негайно замінійте пошкоджений плаский складчастий фільтр **24**.

- Потягніть за язичок **16** і відкрийте кришку фільтра **34**.
- Візьміть плаский складчастий фільтр **24** за перемички і вийміть його, потягнувши угору.

Усунення несправностей

Проблема	Що робити
Відсмоктувальна турбіна не запускається.	<ul style="list-style-type: none"> – Перевірте шнур живлення, штепсель, запобіжник, розетку і датчики рівня заповнювання 35. – Перемикач режимів роботи 6 встановлено на символ «Автоматичне вмикання/вимкнення». – Встановіть перемикач режимів роботи 6 на символ «Відсмоктування» або увімкніть підключений до розетки 4 електроінструмент.
Відсмоктувальна турбіна вимикається.	<ul style="list-style-type: none"> – Спорожніть ємність 1.

- Вологою ганчіркою приберіть пил і бруд, що спали з плаского складчастого фільтра **24** під час його виймання, з краю кришки фільтра **34**.
- Вибийте плаский складчастий фільтр **24**. Пласкі складчасті фільтри з PES (поліефірсульфон) і PTFE (політетрафторетилен) можна промивати під проточною водою.
- Вставте новий або прочищений плаский складчастий фільтр **24**, при цьому слідкуйте за надійною і правильною посадкою.
- Закрийте кришку фільтра **34** (вона повинна відчутно увійшли в зачеплення).

Ємність

- Час від часу протирайте ємність **1** звичайним, не абразивним м'яким засобом і давайте їй висохнути.

Датчики рівня заповнення (див. мал. J)

Час від часу очищуйте датчики рівня заповнення **35**.

- Відкрийте замки **11** і зніміть кришку пирососа **10**.
- Протріть датчики рівня заповнення **35** м'якою ганчіркою.
- Знову надіньте кришку відсмоктувача **10** і закрийте замки **11**.

Зберігання і транспортування (див. мал. K)

- Накрутіть шнур на кріплення для шнура **15**.
- Вставте приладдя у призначені для цього тримачі: всмоктувальні труби **29** в тримачі **17**, щілинну насадку **25** в тримач **18**, підлогову насадку **28** в тримач **19**.
- Відкрийте еластичні стрічки тримача відсмоктувального шланга **5** і прокладіть відсмоктувальний шланг **21** навколо кришки відсмоктувача у тримач **5**.
- Вставте еластичні стрічки на місце.
- Встановіть кейс L-Voxx на кріплення **9**.
- Перед транспортуванням вийміть повний пакет для сміття чи мішок для пилу або вилийте зібрану рідину з відсмоктувача, щоб не надірвати спину.
- Переносьте відсмоктувач лише за ручку **8**.
- Прибирайте відсмоктувач для зберігання у сухе приміщення і захищайте його від несанкціонованого використання.
- Для фіксування напрямного ролика **14** опустіть гальмо напрямного ролика **13** донизу.

140 Українська	
Проблема	Що робити
Після спорожнення ємності відсмоктувальна турбіна не вмикається.	<ul style="list-style-type: none"> – Вимкніть відсмоктувач і зачекайте 5 секунд, через 5 секунд знов увімкніть його. – Очистіть датчики рівня заповнювання 35, а також простір між датчиками рівня заповнювання 35 за допомогою щітки.
Зменшується потужність всмоктування.	<ul style="list-style-type: none"> – Видаліть засмічення зі всмоктувальної насадки, всмоктувальної труби 29, відсмоктувального шланга 21 або плаского складчастого фільтра 24. – Замініть пакет для сміття 23 або мішок для пилу. – Правильно встановіть кришку фільтра 34. – Правильно встановіть кришку відсмоктувача 10 і закрийте замки 11. – Замініть плаский складчастий фільтр 24.
При відсмоктуванні з відсмоктувача розлітається пил	<ul style="list-style-type: none"> – Перевірте правильність встановлення плаского складчастого фільтра 24. – Замініть плаский складчастий фільтр 24.
Автоматичне вимкнення (вологе відсмоктування) не спрацьовує.	<ul style="list-style-type: none"> – Очистіть датчики рівня заповнювання 35, а також простір між датчиками рівня заповнювання 35 за допомогою щітки. У випадку рідин, що не проводять електрику, або при утворенні піни автоматичне вимикання не працює. – Постійно перевіряйте рівень заповнення.
Автоматичне очищення фільтра не працює.	<ul style="list-style-type: none"> – Увімкніть очищення фільтра (натисніть на кнопку AFC 3). – Під'єднайте відсмоктувальний шланг 21.
Автоматичне очищення фільтра не вмикається.	<ul style="list-style-type: none"> – Зверніться в авторизовану сервісну майстерню Bosch.
Автоматичне очищення фільтра не вмикається.	<ul style="list-style-type: none"> – Зверніться в авторизовану сервісну майстерню Bosch.

Сервіс та надання консультацій щодо використання продукції

При всіх додаткових запитаннях та замовленні запчастин, будь ласка, зазначайте 10-значний номер для замовлення, що стоїть на заводській табличці відсмоктувача.

Сервісна майстерня відповість на запитання стосовно ремонту і технічного обслуговування Вашого виробу. Малюнки в деталях і інформацію щодо запчастин можна знайти за адресою:

www.bosch-pt.com

Команда співробітників Bosch з надання консультацій щодо використання продукції із задоволенням відповість на Ваші запитання стосовно нашої продукції та приладдя до неї.

Гарантійне обслуговування і ремонт електроінструменту здійснюються відповідно до вимог і норм виготовлювача на території всіх країн лише у фірмових або авторизованих сервісних центрах фірми «Роберт Бош». **ПОПЕРЕДЖЕННЯ!** Використання контрафактної продукції небезпечне в експлуатації і може мати негативні наслідки для здоров'я. Виготовлення і розповсюдження контрафактної продукції переслідується за Законом в адміністративному і кримінальному порядку.

Україна

ТОВ «Роберт Бош»
Сервісний центр електроінструментів
вул. Крайна, 1, 02660, Київ-60
Україна
Тел.: (044) 4 90 24 07 (багатоканальний)
E-Mail: pt-service.ua@bosch.com
Офіційний сайт: www.bosch-powertools.com.ua

Адреса Регіональних гарантійних сервісних майстерень зазначена в Національному гарантійному талоні.

Утилізація

Відсмоктувач, приладдя і упаковку треба здавати на екологічно чисту повторну переробку.

Не викидайте відсмоктувач в побутове сміття!

Лише для країн ЄС:



Відповідно до європейської директиви 2012/19/EU про відпрацьовані електро- і електронні прилади і її перетворення в національному законодавстві електроприлади, що вийшли з вживання, повинні здаватися окремо і утилізуватися екологічно чистим способом.

Можливі зміни.

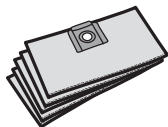
210 |

2 607 432 035



de	Papierfilterbeutel (trocken)	fi	Paperisuodatinpussi (kuiva)	bg	Хартиен филтърен плик (сухо засмукване)
en	Paper filter bag (dry)	el	Χάρτινος σάκος φίλτρου (ξηρή)	sr	Kesa papirnog filtra (suvo)
fr	Sac à poussières en papier (sec)	tr	Kağıt toz torbası (kuru)	sl	Papirnata filtrska vrečka (suho sesanje)
es	Bolsa de filtración de papel (material seco)	pl	Worek filtrujący papierowy (na sucho)	hr	Papirnata filter vrećica (suha)
pt	Saco de filtro de papel (seco)	cs	Papírový filtrační sáček (suché vysávání)	et	Paberist filtrikott (kuiv tolm)
it	Sacchetto filtro di carta (secco)	sk	Papierové filtračné vrečko (suché)	lv	Filtrējošais papīra maisiņš (sausu vielu uzsūkšanai)
nl	Papieren stofzak (droog)	hu	Szűrős papírzacskó (száraz)	lt	Popierinis filtruojamasis maišelis (sausoms dulkiams)
da	Papirfilterpose (tør)	ru	Бумажный фильтр (сухое всасывание)	ar	كيس الغبار الورقي (جاف)
sv	Pappersfilterpåse (torr)	uk	Паперовий фільтрувальний мішок (сухе відсмоктування)	fa	کیسه فیلتر کاغذی (خشک)
no	Papirfilterpose (tørr)	ro	Sac filtrant din hârtie (aspirare uscată)		

2 607 432 037



de	Vliesfilterbeutel (trocken)	fi	Kuitusuodatinpussi (kuiva)	bg	Филтърна торба от кече (сухо засмукване)
en	Fleece filter bag (dry)	el	Υφασμάτινος σάκος φίλτρου (ξηρή)	sr	Kesa filtra od krzna (suvo)
fr	Sac filtrant tissé (sec)	tr	Elyaf toz torbası (kuru)	sl	Filtrska vrečka iz klobučevine (suho suho sesanje)
es	Bolsa de filtración de vellón (material seco)	pl	Worek filtrujący z włókny (na sucho)	hr	Pustena filter vrećica (suha)
pt	Saco de filtro de velo (seco)	cs	Filtrační sáček z rouna (suché vysávání)	et	Fliisist filtrikott (kuiv tolm)
it	Sacchetto filtro di vlies (secco)	sk	Tkaninové filtračné vrečko (suché)	lv	Filtrējošais filca maisiņš (sausu vielu uzsūkšanai)
nl	Vliesfilterzak (droog)	hu	Szűrős flíz zacskó (száraz)	lt	Neaustinės medžiagos filtruojamasis maišelis (sausoms dulkiams)
da	Filtfilterpose (tør)	ru	Нетканый полотняный фильтр (сухое всасывание)	ar	كيس الغبار القماشي (جاف)
sv	Fiberfilterpåse (torr)	uk	Нетканый полотняный фільтрувальний мішок (сухе відсмоктування)	fa	کیسه فیلتر منسوجات غیر بافت (خشک)
no	Fleecefilterpose (tørr)	ro	Sac filtrant din pãslã (aspirare uscatã)		

2 607 432 039

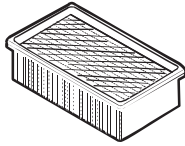


de	Nassfilterbeutel (nass)	fi	Märkäsuodatinpussi (märkä)	bg	Филтърен плик за (мокро засмукване)
en	Wet-filter bag (wet)	el	Σάκος υγρού φίλτρου (υγρή)	sr	Kesa vlažnog filtra (mokro)
fr	Sac filtrant spécial pour les liquides (humide)	tr	Islak toz torbasi (islak)	sl	Filtrska vrečka za mokro sesanje (mokro sesanje)
es	Filtro para materiales húmedos (material húmedo)	pl	Worek do odsysania na mokro (na mokro)	hr	Mokra filter vrećica (mokra)
pt	Saco de filtro molhado (molhado)	cs	Filtrační sáček (mokrý vysávání)	et	Märgfiltrikott (vedelikud)
it	Sacchetto filtro umido (umido)	sk	Mokrý filtračné vrečko (mokrý)	lv	Mitrās filtrēšanas maisiņš (šķidrums uzūķšanai)
nl	Natfilterzak (nat)	hu	Szűrős nedves zacskó (nedves)	lt	Skysčių filtruojamasis maišelis (skysčiams)
da	Vådfilterpose (våd)	ru	Мокрый фильтр (влажное всасывание)	ar	كيس الغبار الرطب (رطب)
sv	Våtfilterpåse (våt)	uk	Вологий фільтр (вологе відсмоктування)	fa	کیسه فیلتر تر (تر)
no	Filterpose for våtfiltere (våt)	ro	Sac filtrant pentru aspirare umedă (aspirare umedă)		

2 607 432 043



de	Entsorgungssack (PE) (trocken/nass)	fi	Erikoispölypussi (PE) (kuiva/märkä)	bg	Прахоуловителна торба (PE) (сухо/мокро засмукване)
en	Disposal bag (PE) (dry/wet)	el	Σάκος αποκομιδής (PE) (ξηρή/υγρή)	sr	Vreća za otpad (PE) (suvo/mokro)
fr	Sac de collecte (PE) (sec/humide)	tr	Atık çuvalı (PE) (kuru/islak)	sl	Vrečka za odpadke (PE) (suho/mokro sesanje)
es	Saco de evacuación de polvo (PE) (material seco/húmedo)	pl	Worek papierowy (PE) (na sucho/na mokro)	hr	Vreća za otpad (PE) (suha/mokra)
pt	Saco descartável (PE) (seco/molhado)	cs	Odpadní sáček (PE) (suché/mokrý vysávání)	et	Käitlusott (PE) (kuiv tolm/vedelikud)
it	Sacchetto per lo smaltimento (PE) (secco/umido)	sk	Vrečko na odpad (PE) (suché/mokrý)	lv	Utilizēšanas maiss (PE) (sausu vielu un šķidrums uzūķšanai)
nl	Afvalzak (PE) (droog/nat)	hu	Poreltávolító zsák (PE) (száraz/nedves)	lt	Šalinimo maišelis (PE) (sausoms dulkiams/skysčiams)
da	Engangspose (PE) (tør/våd)	ru	Мешок для сбора мусора (PE) (сухое/влажное всасывание)	ar	كيس التصريف (PE) (جاف/رطب)
sv	Avfallhanteringsäck (PE) (torr/våt)	uk	Пакет для сміття (PE) (сухе/вологе відсмоктування)	fa	کیسه زباله (PE) (تر/خشک)
no	Engangspose (PE) (tør/våt)	ro	Sac eliminare (PE) (aspirare umedă/uscată)		



2 607 432 033 (Cellulose)
 2 607 432 034 (PES)
 2 607 432 041 (PTFE)



2 608 000 585



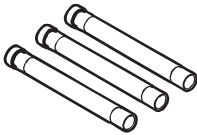
2 607 000 165



2 607 000 166



2 607 000 170



2 608 000 575



1 609 201 229



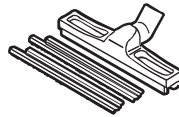
1 609 201 230



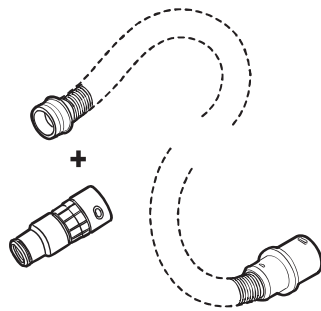
1 609 390 481



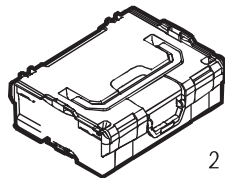
2 608 000 573



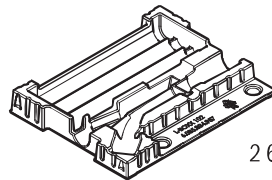
1 609 390 478



5 m	35 mm	-	2 608 000 565
5 m	35 mm	●	2 608 000 566
5 m	22 mm	-	2 608 000 567
5 m	22 mm	●	2 608 000 568
3 m	35 mm	-	2 608 000 569
3 m	35 mm	●	2 608 000 570
3 m	22 mm	-	2 608 000 571
3 m	22 mm	●	2 608 000 572



2 608 438 691



2 608 438 091